

1/10TH 2WD Electric Power R/C Off-Road Buggy

Specifications:

LENGTH	WIDTH	HEIGHT	WHEEL BASE	DRIVE SYSTEM	GROUND CLEARANCE	DIAMETER OF WHEEL	WIDTH OF WHEEL	GEAR RATIO
395mm	250mm	150mm	282mm	2WD Shaft Drive	30mm	90mm (R) 82mm (F)	42mm (R) 29mm (F)	1:9.2

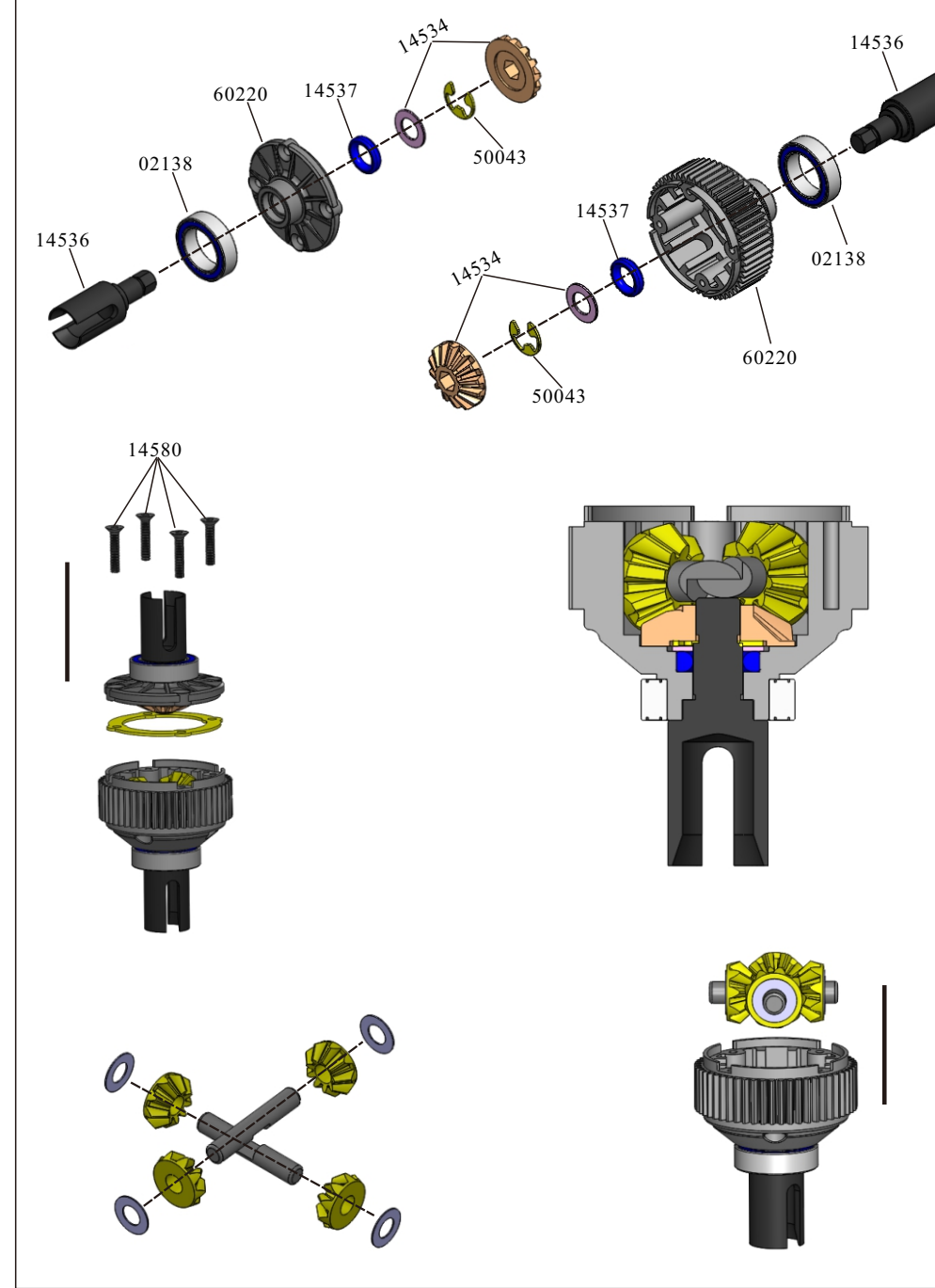
Spare Part

60202-Chassis	60203-Front Lower Suspension Arm	60204-Rear Lower Suspension Arm	60205-Front Chassis Plate	60249-Rear Chassis Plate
60206-Front Shock Tower	60207-Rear Shock Tower	60208-Steering Hub (L/R)	60209-Front Hub Carrier (L/R)	60210-Rear Upright
60211-Front Bulk Head Brace	60212-Front Shock Mount	60213-Front Upper Link 58.5mm	60214-Steering Link 55mm	60215-Rear Upper Link 73mm
60216-Servo Link 30.5mm	60217-Gear Box	60218-Motor Guard	60219-Main Gear Cover	60223-Wing Mount
60262-Front Shock Absorber	60263-Rear Shock Absorber	60225-Rear Arm Bulkhead	60226-Front Arm Bulkhead	60227-Front Bumper

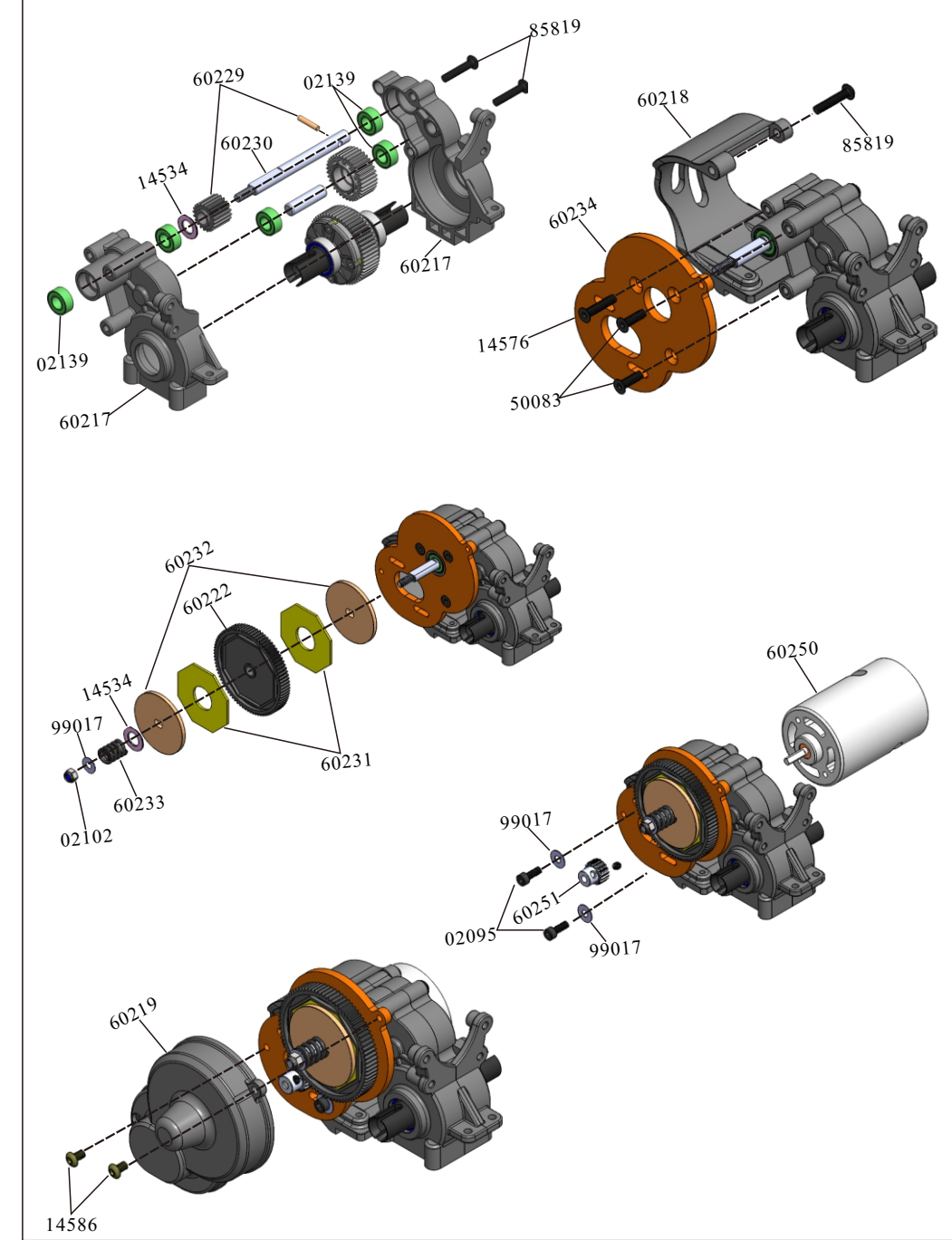
Spare Part

60228-Steering Sway Arm Assembly	60235-Rear Body Mount	03013-Radio Tray Mount A	60201-Battery Strap	60243-Front Wheel Rim
60244-Rear Wheel Rim	60245-Front Tyre	60246-Rear Tyre	60247-Front Wheel Complete	60248-Rear Wheel Complete
60220-Differential Case(48P)	60221-Gear (34T-48P)	60222-Gear (81T-48P)	60229-Gear(20T-48P)	60251-Motor Gear (23T)48P
14534-Diff Planetary Gear	14536-Differential Outdrive	60230-Slipper Shaft	60236-Rear Wheel Axle	60241-Front Wheel Axle
60231-Slipper Pad	60232-Slipper Hub	60233-Slipper Tensioner Spring	60234-Motor Mount	60239-Servo Saver Assembly
60237-Dogbone	60238-Front/Rear Suspension Pin	14535-Diff Shaft	60254-Pin 3*26	60255-Pin 5*18

Diff. Gear Assembly



Diff. Gear/Motor Assembly



Spare Part

08027-Pin 2*10	02100-Wheel Hex.	60298-Servo Arm	60713-Ball Bearing $\phi 6 \times \phi 3 \times 2.5$	02138-Ball Bearing $\phi 15 \times \phi 10 \times 4$
02139-Ball Bearing $\phi 10 \times \phi 5 \times 4$	02080-Oil Bearing $\phi 5 \times \phi 10 \times 4$	99017-Washer 8*3*0.5	14537-Diff O-Ring	60242-Steering Shaft Bush
06007-Shock Ball Head C	50043-Sus. Arm E-Clips $\phi 4 \times 0.6\text{mm}$	02053-R-Clip	02102-Nuts(M3)	14598-Wheel Locknut M4
60240-Ball Head Screws 5.8mm	02099-Grub Screw M4*4	60252-Front Lower Suspension Arm Screws 3*25mm	60253-Rear Lower Suspension Arm Screws 3*29mm	14576-Flat Head Hex Machine Screw M3*14
14577-Flat Head Hex Machine Screw M3*12	14579-Flat Head Hex Machine Screw 3*8	14580-Flat Head Hex Machine Screw 2*10	50083-Flat Head Hex Mechanical Screw 3*10	85819-Cap Head Hex. Mechanical Screw 3*16
85818-Cap Head Hex. Mechanical Screw 3*14	50101-Cap Head Hex. Mechanical Screw(3*12)	50100-Cap Head Hex. Mechanical Screw(3*10)	14586-Cap Head Hex. Mechanical Screw(3*6)	02095-M3*8 Column Head Hex. Screw

Optional Spare Part

60265-Wing	60250-Motor Rc540 (8017)	60256-Motor Rc550 (8514)	03200-Battery Ni-MH (7.2V 2000mAh)	60258-2 IN 1 ESC/RX
Sp6009-Servo(6KG)				

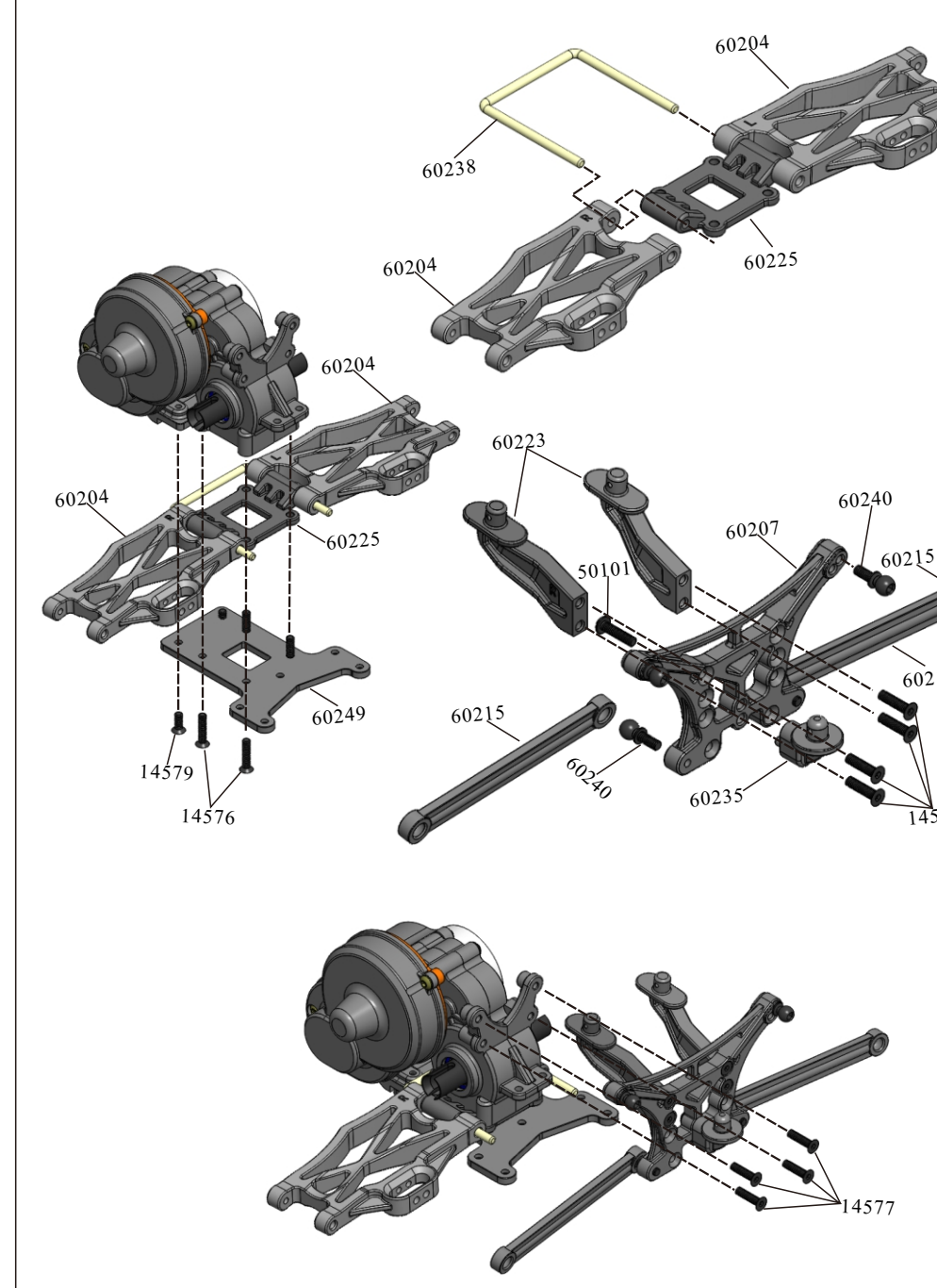
Brushless Off-Road Buggy-Spare Parts

60257-Powder Steel Gear(20T-48P)	03302-Brushless Motor KV:3300	03205-LiPO Battery 7.4V 3500mAh	37025-Brushless Electronic Speed 50A	Sp6001-Servo(6KG)
60712-Powder Steel Gear(34T-48P)				

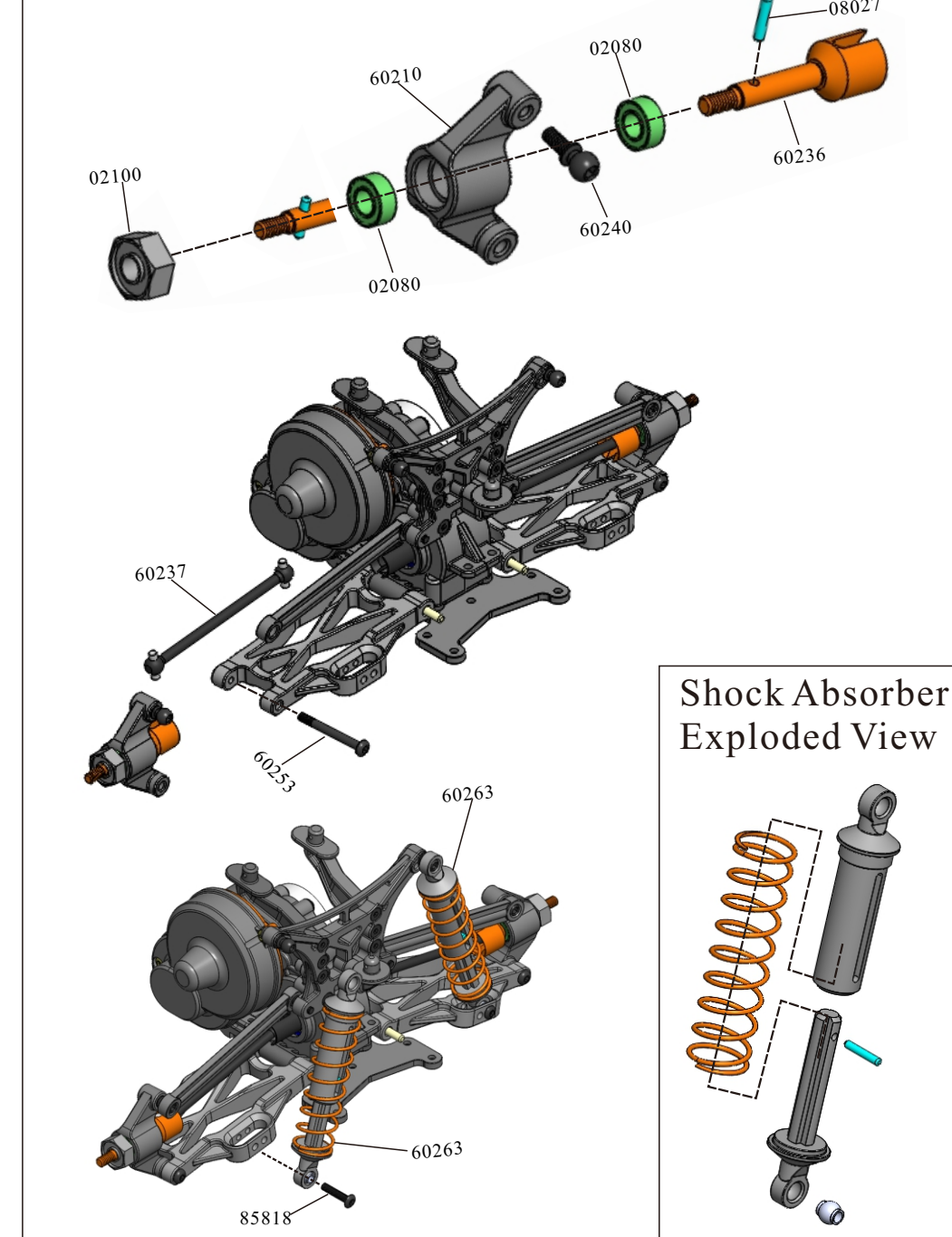
Upgradable Optionals

601002-Front Shock Tower	601003-Rear Shock Tower	601004-Steering Hub Cer(L/R)	601005-Front Hub Cer(L/R)	601006-Rear Upright
601007-Front Bulk Head Brace	601008-Front Shock Mount	601013-Rear Arm Bulkhead	601014-Front Arm Bulkhead	601015-Steering Sway Arm Assembly
601016-Gear Box	601017-Front Lower Suspension Arm(L/R)	601018-Rear Lower Suspension Arm	601019-Front Chassis Plate	601020-Rear Chassis Plate

Rear End Installation



Rear End Installation



Shock Absorber Exploded View

