



# USER MANUAL

## OFF-ROAD CRAWLER

NO.EX86190



ROCK CRAWLER



#### Notes:

- ⇒ Read and understand the instructions carefully before operating or assembling your racing model.
- ⇒ Specifications are subject to change without prior notice, and actual received model may vary from the images and/or descriptions in this manual.

The product has conducted IQC (Input Quality Control) and full inspection before delivery. The manufacturer is responsible for quality assurance. Remote Control model is assembled manually, and then there may have some defects in the production process. Once the product is modified or incorrect operation, it cannot apply for replacement and return services, for the parts and accessories may be damaged. Please contact the retail seller for after-sales service when needed.

The product conforms to technical requirements of export safety regulations.



Please read and follow all the instructions in the manual before use.

MADE IN CHINA

Factory Address: Huang Jiang Town, Dong Guan City, Guang Dong Province, China

Production Date: refer to packing instruction





# Introduction

We would like to welcome you to the world of remote control cars. What are RC cars? The simple answer is that they are radio controlled cars that respond precisely to your command. The more complete answer is that they can be a great addition to your lifestyle. RC car building and racing teach valuable mechanical and electrical skills, promote teamwork and encourage racers to test their skills with other racers from around the world. Whether you are just having fun racing your car in your backyard or racing at the world competition contest, radio controlled car racing is a great hobby.

We have been making RC products aimed at making our hobby fun and exciting with an affordable price. We are confident that your experience with our products will be positive. Of all the radio controlled models out there, no question about it, RC cars are the hardest to operate. This user manual covers a wide range of topics from nitro powered remote control cars to electrical powered remote control cars. We highly recommend that you read this user manual thoroughly and carefully before assembling and operating. Please follow all precautions and recommendations located within the manual. Be sure to retain the manual for future reference, routine maintenance, and tuning.




This product is not a toy. It is not recommended for children under 14 years old and any minor should be accompanied by an adult when operating. This product is a precision machine that requires proper assembly and setup to avoid accidents. Failure to take caution when operating this product may result in serious injury or property damage. It is the owner's responsibility to operate this product in a safe manner. Manufacturer and its distributors are not responsible in any way for any and all bodily injury(s) and/or property damage that may occur from the use of or caused by in any way or this product.



## Warnings

- The product is not intended for those under 14 years of age without proper adult supervision. The product is not a toy. It is a precision machine requiring proper assembly and setup to avoid accidents and it is the responsibility of the owner to operate this product in a safe manner as it can cause serious personal injury and damage to property due to carelessness or misuse.
- Do not attempt to disassemble or modify any of the product components without the assistance of an experienced RC user.
- Only use the correct type of battery to operate. Using any wrong type of battery will damage the product and possibly make it dangerous to operate.
- The motor(s) may get hot during use. Always allow 10-15 minutes between each operation for the motor to cool down. This will prolong the life of your product.
- Choose an appropriate operating site consisting of flat, smooth ground, and clear open field. Do not operate near buildings, high voltage cable lines, or trees to ensure safety operation. Operate in safe area only, away from other people. RC models are prone to accidents, failures, and crashes due to a variety of reasons including, lack of maintenance, user error, and radio interference. Users are responsible for their actions and damage or injury occurring during the operation.
- Do not operate in inclement weather, such as rain, wind, snow or darkness.
- The product is composed of precision electrical components. It is critical to keep the product away from moisture and other contaminants. Do not allow them to get wet. Electrical damage may occur that could affect safe operation.
- You should complete a successful pre-run check of your radio equipment and model prior to each run.
- Use replacement parts from the original manufacturer to ensure safe operation.
- Operate this product within your ability. Do not operate under tired condition
- After each use, always allow the battery to cool down before recharging. When charging the battery pack, do not overcharge! If batteries get hot during charging, discontinue charging immediately and disconnect the battery from the charger. Never leave battery unattended while charging. If you are unsure of how to charge this battery, please seek the advice of experienced RC users. Never let children charge the battery without adult supervision.
- Always turn on the transmitter before connecting the battery on the model. When turning off the model, always disconnect the battery first, and then turn off the transmitter. If the order is reversed, the model may become uncontrollable and cause serious damage.
- If you are in doubt of your ability to operate the model, we strongly recommend that you seek assistance from experienced RC users or join your local modeling club to gain the required knowledge and skill. As the manufacturer and distributor, we assume no liability for the use of this product.
- Before turning on your model and transmitter, please check to make sure no one else is operating under the same frequency. Frequency interference can cause your model, or other's models to crash. The guidance provided by experienced RC users will be valuable for the assembly, tuning, trimming, and actual first flight.
- Never allow batteries to run low or you might lose control of the model.
- Plastic is very susceptible to damage or deformation due to extreme heat and cold climate. Do not store the model near any source of heat such as oven or heater. Store the model indoors, in a climate-controlled, room temperature environment.
- Never shorten the receiver antenna; or this might affect the transmitting range of the radio system.
- This product is a RC hobby model, do not use for other purpose.

# Safety

Pay close attention to the following symbols and their meanings. Failure to follow these warnings could cause damage, injury or death.

 <b>Danger</b>	Not following these instructions may lead to serious injuries or death.
 <b>Warning</b>	Not following these instructions may lead to major injuries.
 <b>Attention</b>	Not following these instructions may lead to minor injuries.

 <b>Prohibited</b>	<ul style="list-style-type: none"> <li>■ Do not use the product at night or in bad weather like rain or thunderstorm. It can cause erratic operation or loss of control.</li> <li>■ Do not use the product when visibility is limited.</li> <li>■ Do not use the product on rain or snow days. Any exposure to moisture (water or snow) may cause erratic operation or loss of control.</li> <li>■ Interference may cause loss of control. To ensure the safety of you and others, do not operate in the following places:             <ul style="list-style-type: none"> <li>● Near any site where other radio control activity may occur</li> <li>● Near power lines or communication broadcasting antennas</li> <li>● Near people or roads</li> <li>● On any body of water when passenger boats are present</li> </ul> </li> <li>■ Do not use this product when you are tired, uncomfortable, or under the influence of alcohol or drugs. Doing so may cause serious injury to yourself or others.</li> <li>■ The 2.4GHz radio band is limited to line of sight. Always keep your model in sight as a large object can block the RF signal and lead to loss of control.</li> <li>■ Do not touch any part of the model that may generate heat during operation, or immediately after use. The engine, motor or speed control, may be very hot and can cause serious burns.</li> </ul>
 <b>Mandatory</b>	<ul style="list-style-type: none"> <li>■ Misuse of this product may lead to serious injury or death. To ensure the safety of you and your equipment, read this manual and follow the instructions.</li> <li>■ Make sure the product is properly installed in your model. Failure to do so may result in serious injury.</li> <li>■ Make sure to disconnect the receiver battery before turning of the transmitter. Failure to do so may lead to unintended operation and cause an accident.</li> <li>■ Ensure that all motors operate in the correct direction. If not, adjust the direction first.</li> <li>■ Make sure the model stays within the systems maximum range to prevent loss of control.</li> </ul>

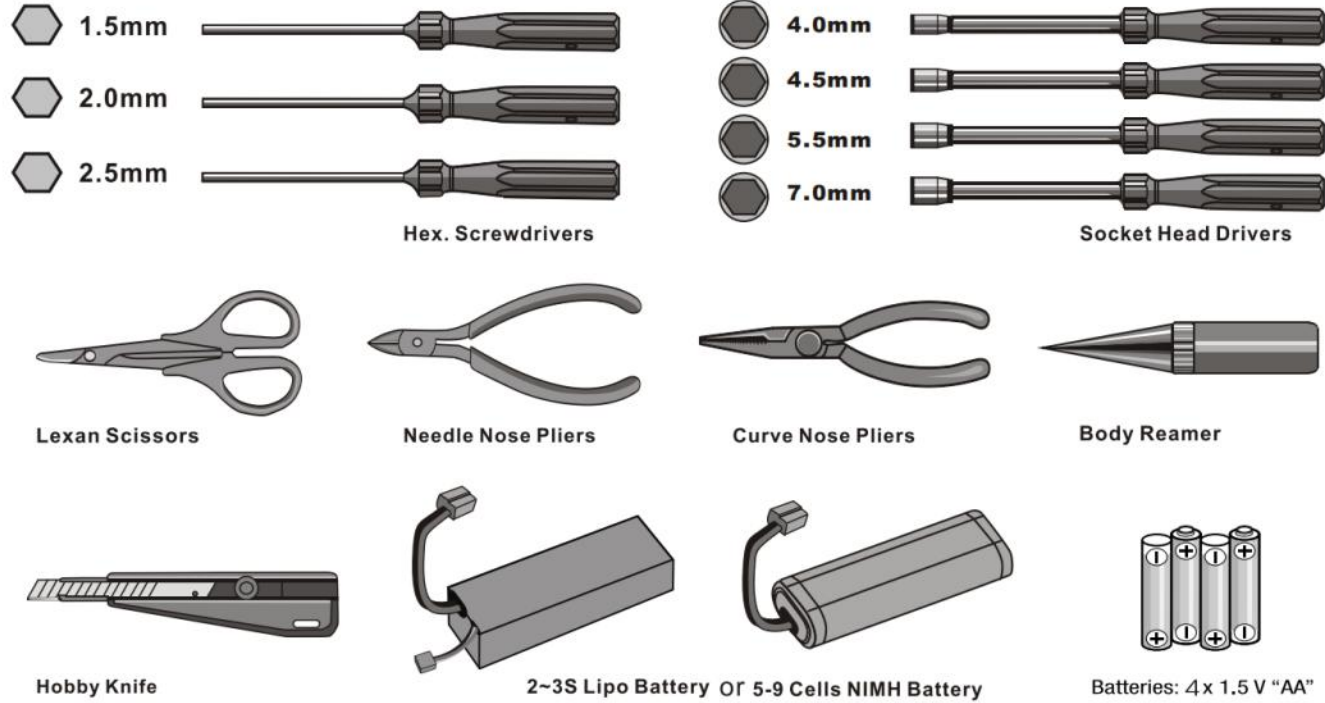
Thanks for purchasing our RC car. The power system for RC model can be very dangerous, so please read this manual carefully. In that we have no control over the correct use, installation, application, or maintenance of our products, no liability shall be assumed nor accepted for any damages, losses or costs resulting from the use of the product. Any claims arising from the operating, failure of malfunctioning etc. will be denied. We assume no liability for personal injury, consequential damages resulting from our product or our workmanship.





## START GUIDE

### 1. Please read the manual carefully and prepare the following things before use.



### 2. The items inside the box.

#### One car



#### Transmitter



#### Manual



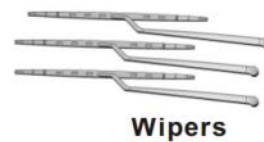
#### Decal Sheet



#### Spare Tyre Accessories



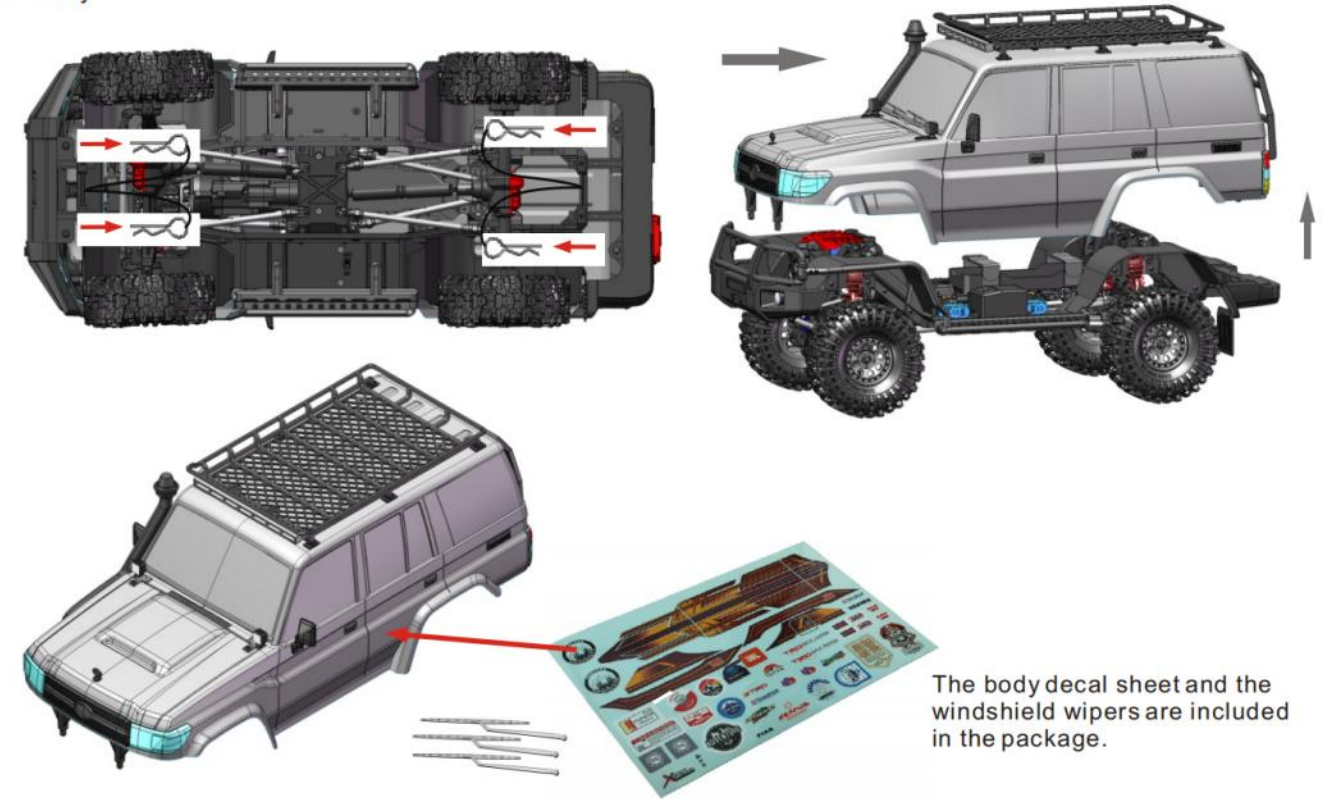
#### Main-Drive Assembly Cover



#### Wipers

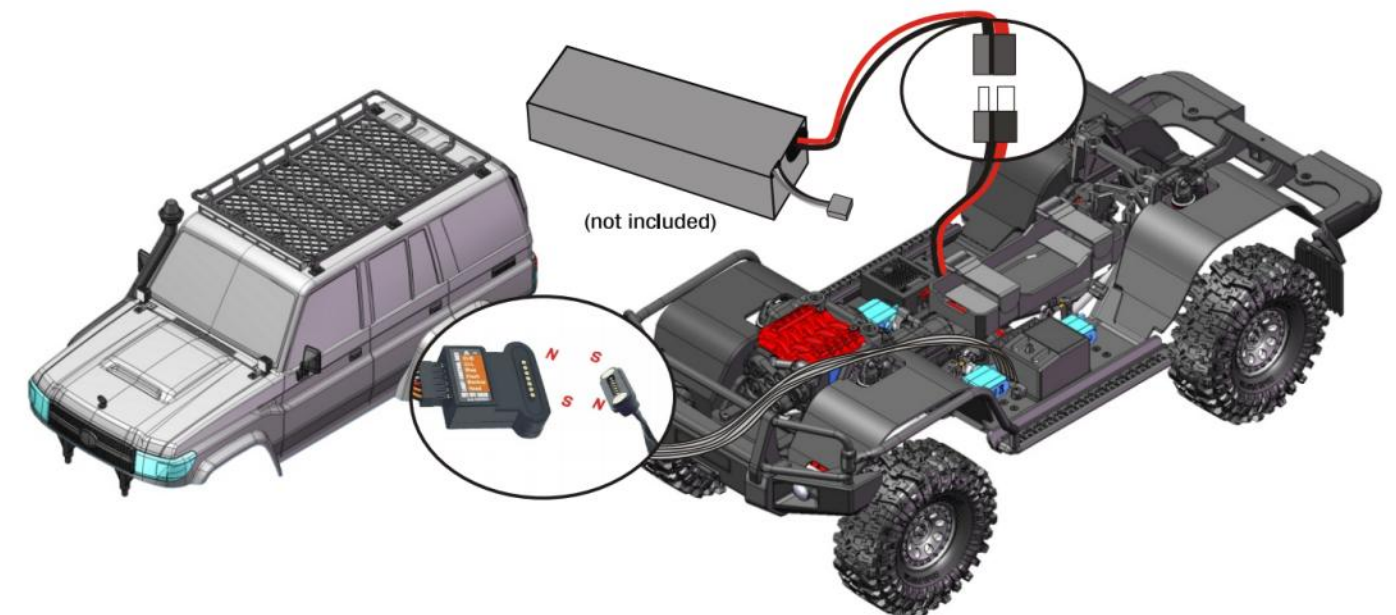
### 3. Please check the whole product condition when open the package.

Take out the body clips from vehicle bottom, Unplug the light connector, and take out the car body.



- 3-1. After each day of running, you should check your shocks for adequate fluid. If the fluid is low, or it is getting dirty, you should change the fluid in the shocks. To achieve better performance, you may also want to change the shock fluid and or the pistons.
- 3-2. Gear mesh is the clearance between the pinion and spur in an electric car or clutch bell and spur in a nitro car. It has impact on the vehicles performance. If the gear mesh is not set properly you may also damage the clutch bell and spur or the pinion gear and spur gear as soon as the vehicle starts running.
- 3-3. Please check if the screw is tight enough before use. Screw it tight (or apply the screw glue if necessary)
- 3-4. Regularly check and verify the tires are intact. No breach should be observed. Please apply the CA glue if needed.

### 4-1. Install Charged Batteries In Car.



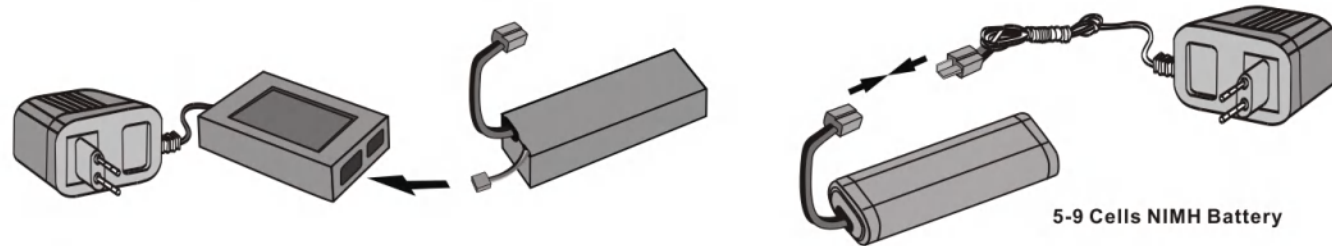


## 4-2. Battery Specifications for Product

### WARNING:

NO battery includes in factory. Recommend? battery: 2S~3S LIPO battery or 5-9 cells NIMH battery (please match the ESC mode with the corresponding battery type) Pay attention to the battery size and plug specification when purchasing. The maximum battery measurement is 142\*48\*55mm (LxWxH).

This product can use the 2S or 3S Li-Po battery.



### NOTICE

Please check the battery voltage before use. Please use a qualified charger to charge the newly purchased battery. (please read the charging steps in manual when necessary)

## Charge the vehicle battery

- Connect charger plug with mains jack and then connect with connector of battery.
- Please be care of safety while charging, please remove charger plug from the mains jack once finish charging. Will be over heat if it is too long to be charging or incorrect charging way. must stop charging if over 45 degree for the battery temperature.
- Do not charge for battery at once when you take it away from your car. Please make sure battery in cool condition before recharge battery to keep battery performance running well and get a longer use life.

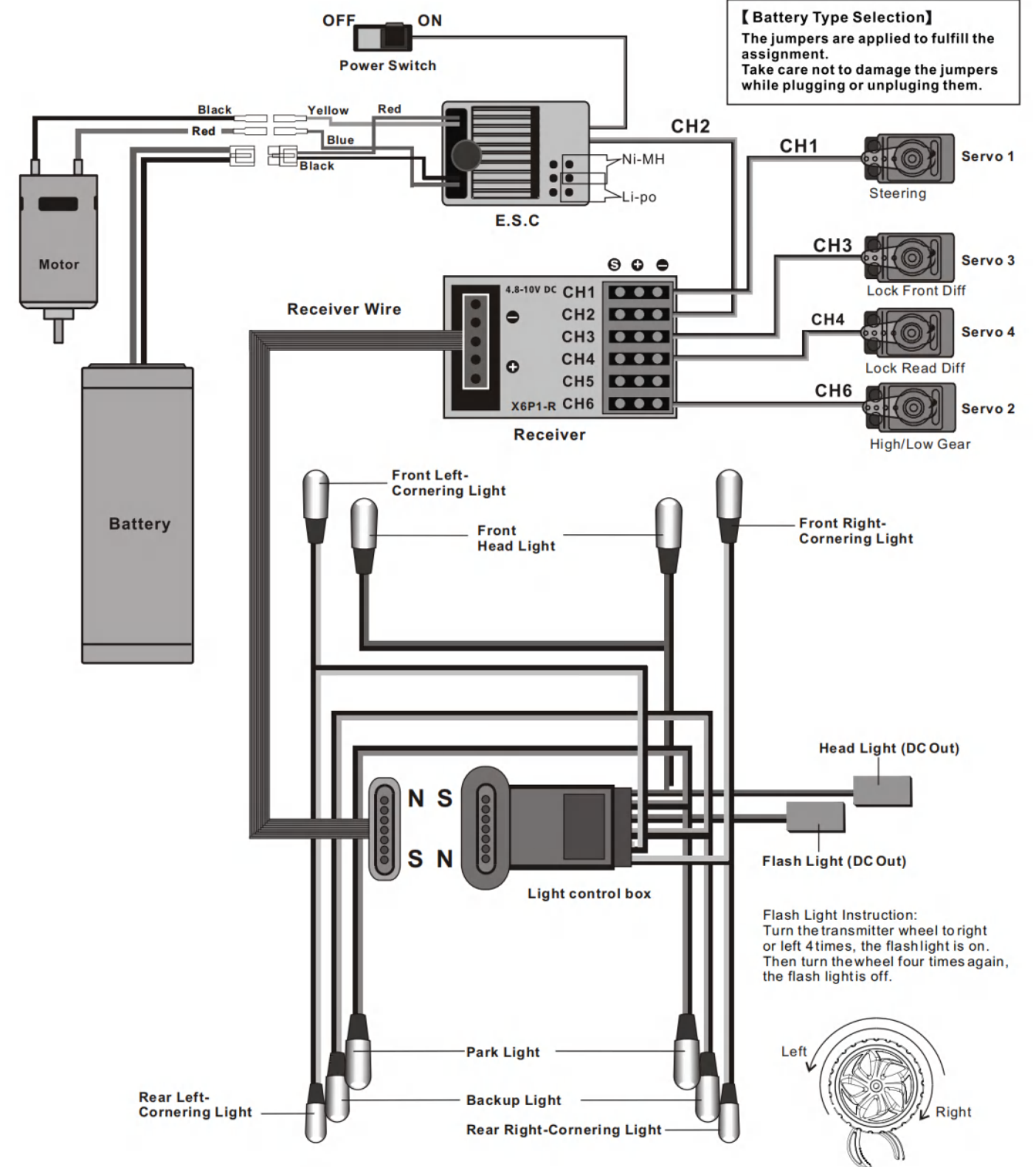
## NiMH Battery Instructions

- Never dispose of NiMH batteries in a fire or store near sources of heat.
- Only use the supplied NiMH charger to charge the NiMH battery. Using another charger may permanently damage the battery and surrounding components and may also lead to injury.
- Batteries should only be charged on a fireproof surface, away from any flam-mable materials.
- Never leave the battery unattended when charging or discharging.
- Batteries must be discharged or fully exhausted before being disposed of. Cover exposed poles with adhesive tape to prevent short-circuiting!
- Never disassemble or alter the battery contacts. Do not damage or puncture battery cells. Doing so would result in an explosion hazard!
- Keep the NiMH battery away from children.

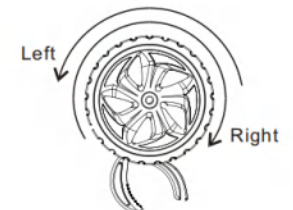
## Lithium Polymer (LiPo) Battery Warnings

- Never charge a lithium polymer battery with a charger designed for NiCd, NiMH, or any other type of battery chemistry. Use ONLY charger designed for LiPo battery.
- Do not leave LiPo battery unattended during charging.
- Do not overcharge the battery.
- Always place the battery on a heat resistant surface alone when charging.
- Always put the LiPo battery inside a charging protection coatner while charging.
- Do not allow LiPo cells to overheat at any time. Cells which reach greater than 140 Fahrenheit (60C) will usually become damaged and will catch fire.
- Do not charge LiPo cells on or near combustible materials including paper, plastic, carpets, vinyl, leather, and wood. inside an R/C modl or full size automobile.
- Do not discharge LiPo; doing so will damage the battery.
- Do not expose LiPo cell to water or moisture at any time.
- Do not store battery near open flame or heater.
- Do not assemble LiPo cells or pre-assembled packs together with other LiPo cells or packs.
- Always store LiPo battery in a secure location away from children.
- Always remove the LiPo battery if model is involved in any kind of crash. Carefully inspect the battery and connectors for even the smallest damage. CAUTION: cells may be hot!
- Do not allow the electrolyte to get into eyes or on skin. Wash affected areas immediately if they come into contact with electrolyte. Do not alter or modify connectors or wires of a LiPo battery pack.
- Always inspect the condition of the battery before charging and operating.
- Do not short circuit the LiPo battery.
- Do not have contact with a leaky/damaged battery directly.
- Do not charge battery out of recommended temperature range (0C - 45C).

## 4-3. Scheme of installation



Flash Light Instruction:  
Turn the transmitter wheel to right or left 4 times, the flashlight is on. Then turn the wheel four times again, the flash light is off.





## 6-1. 2.4GHZ Radio System



### Install The Transmitter Batteries

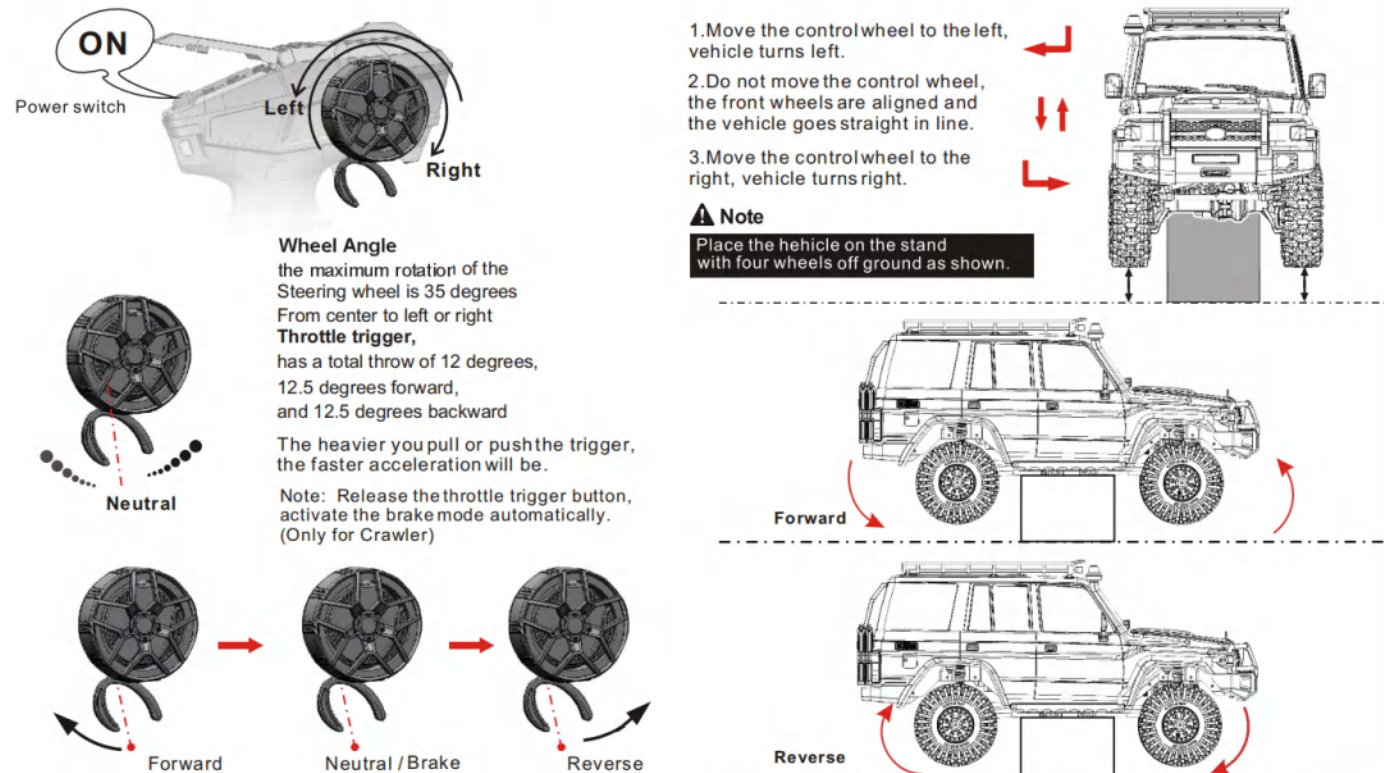
#### Battery Installation:

1. Open the battery compartment cover.
2. Insert 4 AA fully charged batteries or 2S Li-Po batteries in correct polarity. (No response if battery polarity reversed.)
3. Close battery compartment cover.

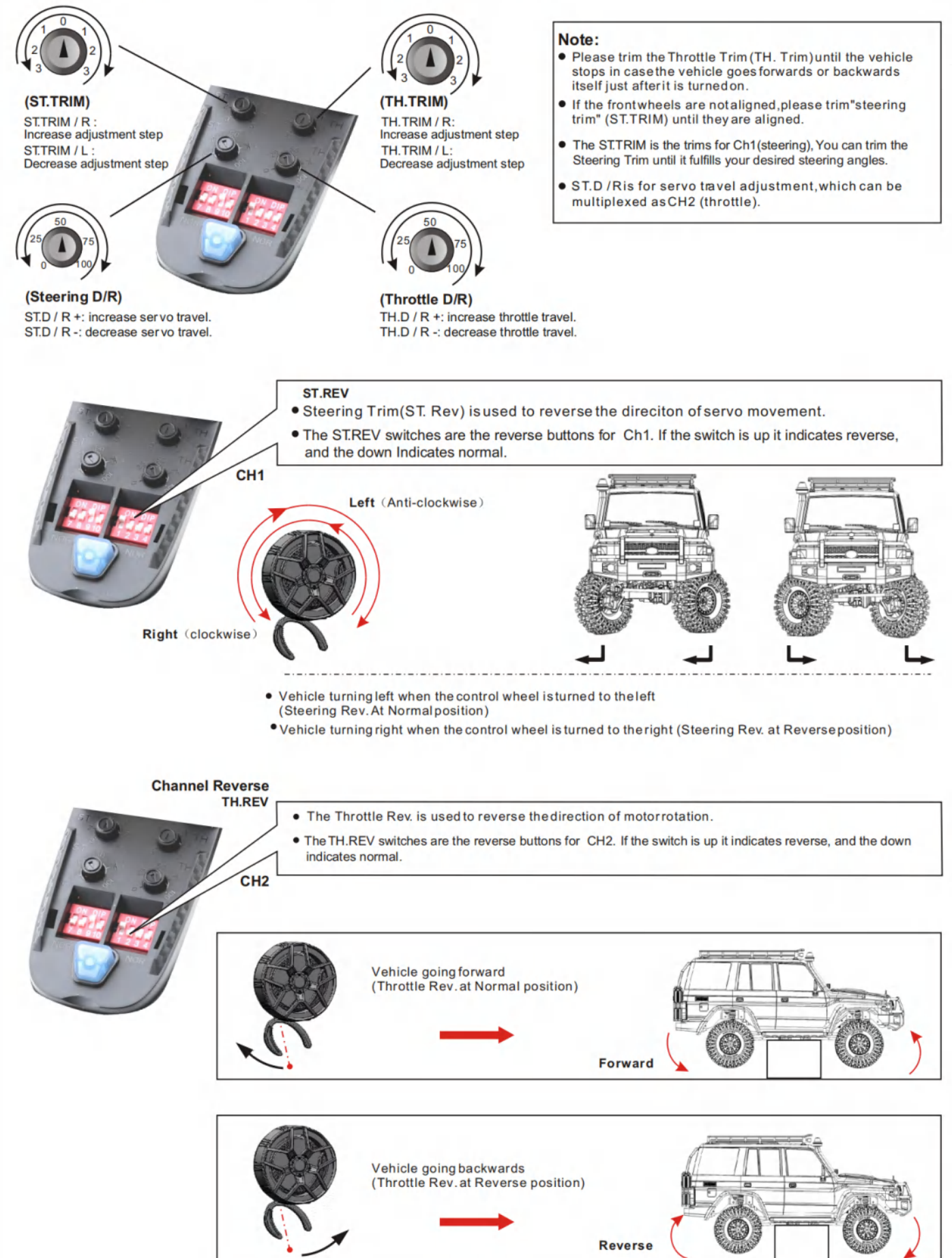
### Binding Process:

1. Press receiver button, LED indicator fast flashing means entering into binding mode, the receiver will automatically looking for the nearest transmitter signal.
2. The indicator will always ON after successful bond.

## 6-2. Transmitter Steering Trim and Throttle Trim



## 6-3. Transmitter Steering and Throttle Instruction

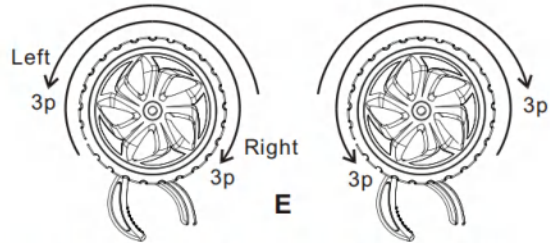
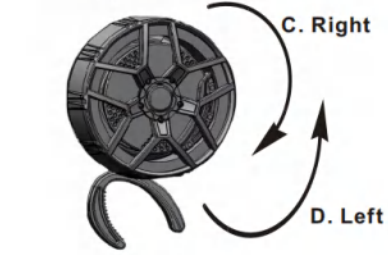
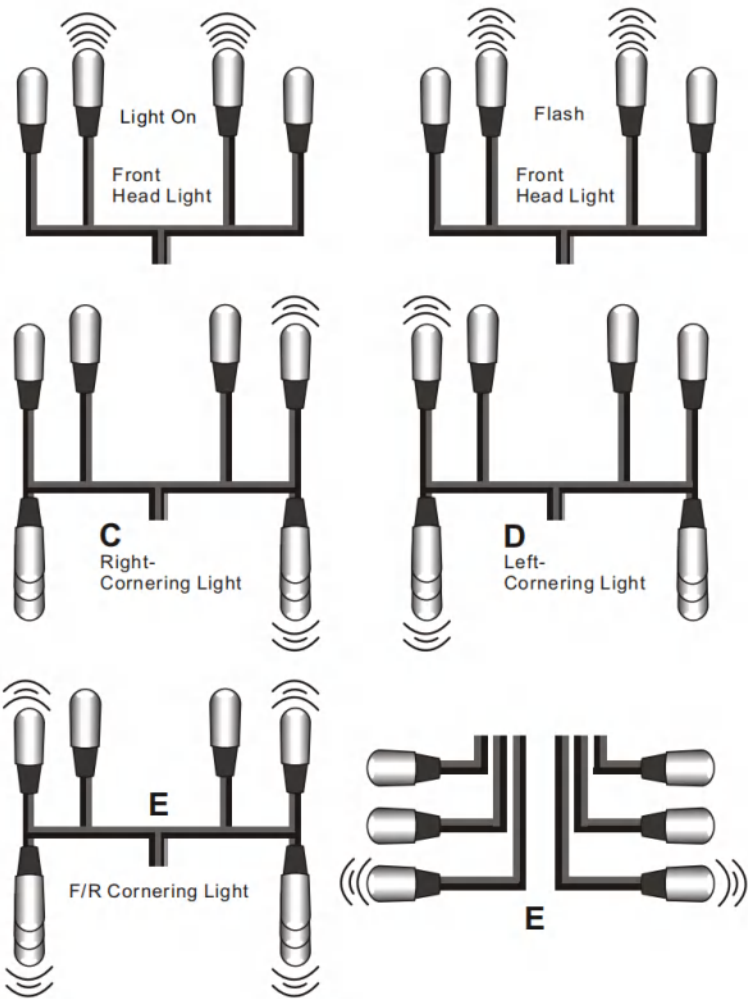




## 6-4. Light Control Usage

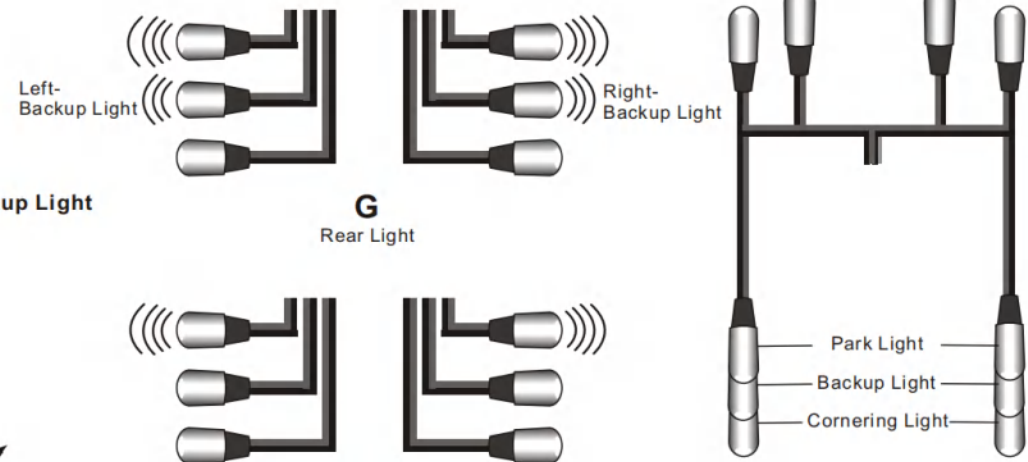
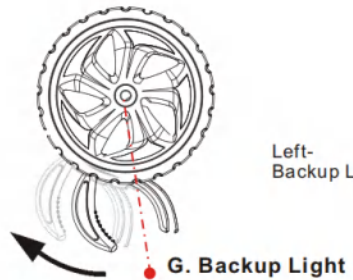
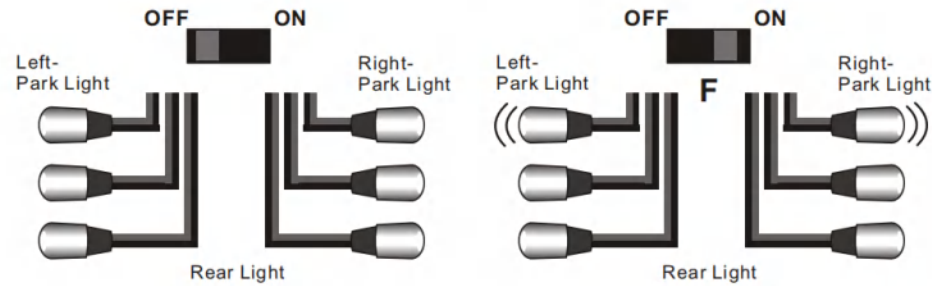


As shown in the picture: press the button, press one time, the light is on; press two times, the light flashes; press it again, the light is off.



E. Turn the transmitter wheel left or right for three times, the emergency light (flash) is on. Turn three times again, the flash function is off.

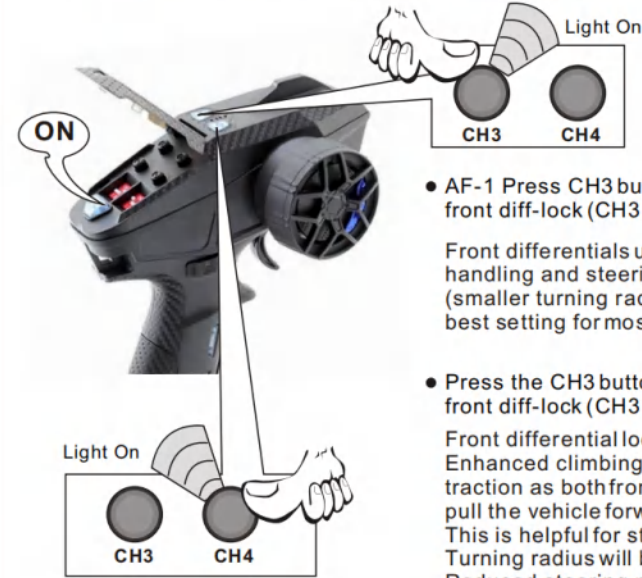
### F. Power Switch (OFF/ON)



## 6-5. Operating the Lock Differentials

The switch on top of the transmitter operates CH5/CH6 the front and rear differential locking mechanism. The differentials can be locked or unlocked at any time during most driving conditions. If the model is stuck and there is wheelspin on a single wheel (one side of an unlocked differential is freewheeling), then release the throttle and allow the wheels to stop before locking the differential. Apply throttle slowly until the differentials fully engage or disengage.

**! The front and rear diff lock is locked in factory. Ensure the vehicle is static or slow driving to avoid gear sweeping when conversion operation on the front and rear diff lock.**



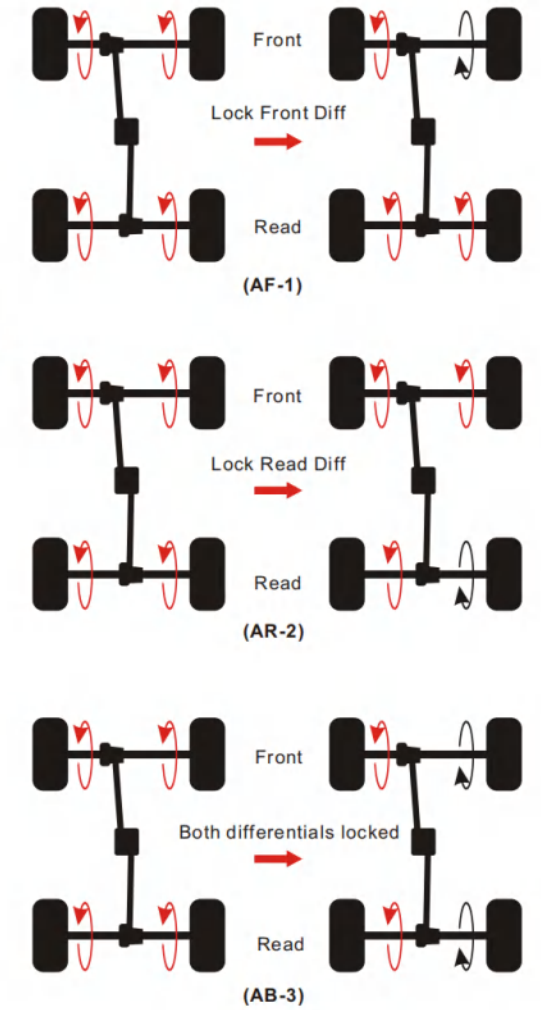
• AF-1 Press CH3 button, unlock the front diff-lock (CH3 button is on.)  
Front differentials unlocked. Best handling and steering performance (smaller turning radius). This is the best setting for most of your driving.

• Press the CH3 button again, lock the front diff-lock (CH3 button is off.)  
Front differential locked. Enhanced climbing ability and traction as both front tires work to pull the vehicle forward. This is helpful for steep inclines. Turning radius will be decreased. Reduced steering performance.

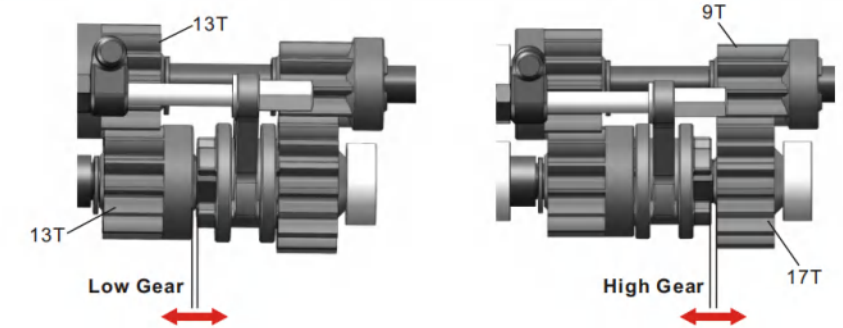
- AR-2 Press CH4 button, unlock the rear diff-lock (CH4 button is on.)
- Press the CH4 button again, lock the rear diff-lock (CH4 button is off.)
- AB-3 Press CH3 and CH4, unlock the front and rear diff-lock. (the button is on)
- Press CH3 and CH4 again, lock the front and rear diff-lock. (the button is off)

Both differentials locked. Maximum climbing ability and traction. Reduced steering performance. On surfaces with good traction, it is normal for the truck to appear to alternately bind and slip the tires when attempting tight turns with the differentials fully locked.

Locked differentials can be used at any time, but unlocking the differentials greatly improves vehicle handling during high-speed driving



## 6-6. Shifting the High-Low Transmission



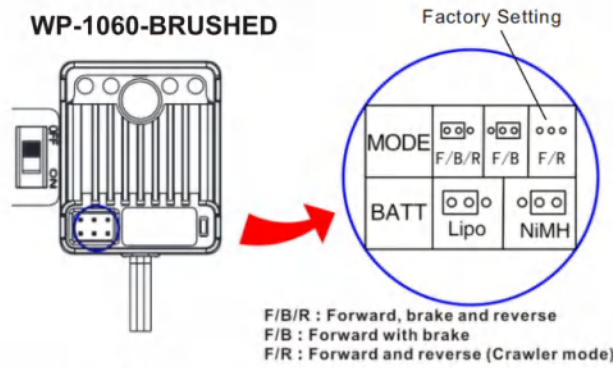
- Press CH6 button, the button light is on, switch to high-speed gear
- Press CH6 button again, the button light is off, switch to low-speed gear

**! Please stop or slow down the vehicle when shifting gear, from low-speed to high-speed or from high-speed to low-speed, in order to make the shift operation more smoother and protect the gear.**



## 7. User Manual of Water-Proof Brushed Speed Controller

### WP-1060-BRUSHED



#### FEATURES

- \* Water-proof and dust-proof for all weather races.
- \* Small size with built-in capacitor module.
- \* Automatic throttle range calibration, easy to use.
- \* Multiple protections: Low voltage cut-off protection for Lipo or NiMH battery / Over-heat protection / Throttle signal loss protection.
- \* Easily programmed with the jumpers.

Model	WP-1060-BRUSHED
Cont. / Burst Current	Forward: 60A / 360A Backward: 30A / 180A
Input	2-3S Lipo, 5-9 Cells NiMH
Cars Applicable	1:10 on-road, off-road 1:10 Crawler, Tank & Boat
Motor Limit	2S Lipo or 5-6 cells NiMH 540 or 550 size motor ≥ 8T or RPM < 45000 @ 7.2V
	3S Lipo or 7-9 cells NiMH 540 or 550 size motor ≥ 13T or RPM < 30000 @ 7.2V
Resistance	Fwd: 0.0008Ohm, Bwd : 0.0016Ohm
Built-in BEC	3A/6V (Switch mode BEC)
Dimension & Weight	36*30*18, 40g



**Attention:** The incorrect polarity will damage the ESC immediately. If the motor runs in the opposite direction, please swap these two wire connections.

### 【PROTECTION FUNCTIONS】

1. Low voltage Cut-off (LVC) protection: If the voltage of battery pack is lower than the threshold for 2 seconds, the ESC will enter the protection mode. When the car stops, the red LED blinks to indicate the low voltage cut-off protection has been activated.

Table A: LVC protection for WP-1060-BRUSHED, (F/B/R or F/B mode).

2S Lipo	3S Lipo	4S Lipo	5-9 cells NiMH
Output reduces 50% at 6.5V Output cuts off at 6.0V, cannot be recovered	Output reduces 50% at 9.75V Output cuts off at 9.0V, cannot be recovered	Output reduces 50% at 13V Output cuts off at 12V, cannot be recovered	Output reduces 50% at 4.5V Output cuts off at 4.0V, cannot be recovered

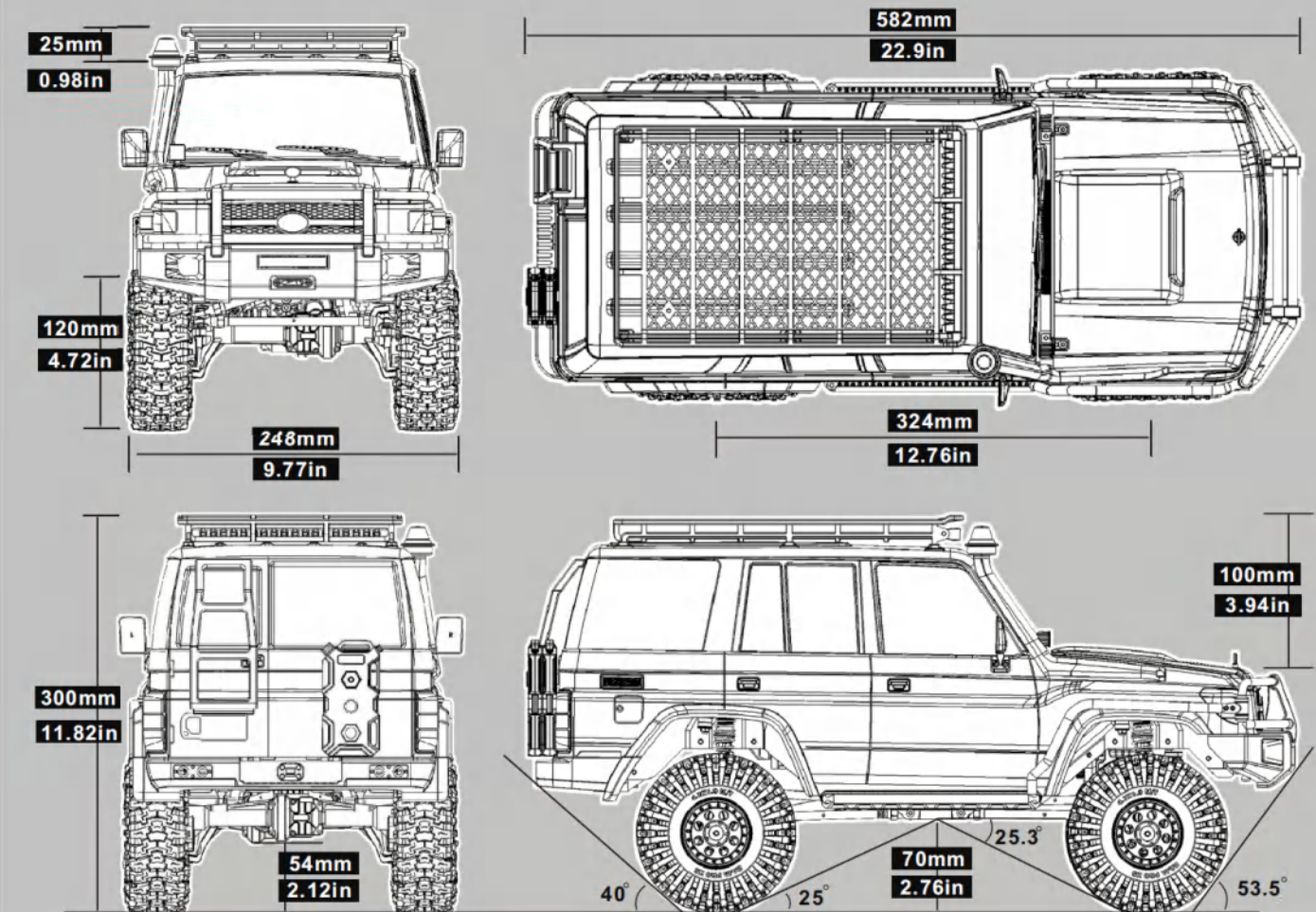
2. Over-heat protection: When the internal temperature of the ESC is higher than 100 Celsius degree or 212 Fahrenheit degree for 5 seconds, the ESC will reduce and cut off the output power. When the car stops, the red LED blinks to indicate the over-heat protection has been activated. If the ESC cools down to 80 Celsius degree (176 Fahrenheit degree) the output power is recovered to normal state.
3. Throttle signal loss protection: The ESC will cut off the output power if the throttle signal has been lost for 0.1 second. The Fail Save function of the radio system is strongly recommended to be activated.

### 【TROUBLE SHOOTING】

Trouble	Possible Reason	Solution
After power on, motor can't work, no sound is emitted, and LED is off.	The ESC doesn't get its working voltage; Connections between battery pack and ESC are broken. Switch is damaged.	Check the battery wires connection or replace the defective connectors. Replace the switch.
After power on, motor can't work; red LED blinks.	Throttle signal is abnormal. Automatic throttle range calibration is failed.	Check the throttle wire connection; make sure it is plugged into the throttle channel of the receiver. Set the TRIM of throttle channel to 0 or turn the knob to its neutral position.
The car runs backward while giving throttle. (The motor runs in the opposite direction)	The wire connections between ESC and the motor need to be changed.	Swap two wire connections between the ESC and the motor.
The car can't go backward.	The jumper position is wrong. The neutral point of throttle channel is changed or drifted.	Check the jumper and plug it to the correct position. Set the TRIM of throttle channel to 0 or turn the knob to its neutral position.
The car can't go forward, but can go backward.	The direction of throttle channel is not correct.	Reset the direction of throttle channel from original NOR to REV or from original REV to NOR.

Please review the ESC manual for more details.

## 8. EX86190 RESCUER Specifications



Item No	Ex86190	Wheel	120*45mm	Motor	550/8020
Item Name	RESCUER	Clearance	70mm (classis) 54mm (steel)	Servo	25kg*1p/ 9g*3p
Scale	1/10	Weight	3.56kg(No battery)	Gear Ratio	26.6:1(H),50.4:1(L)
Description	RTR-Crawler	Radio/Rx	2.4G/6CH(X6-P1)	Breakover	25.3°
Drive Type	4WD	R/C Distance	<120m>100m	Approach	53.5°
Length	582mm	Battery Recommendations	2S or 3S Lipo, 5-9 Cells NIMH Battery	Departure	40°
Width	248mm	Battery Size	<142*48*55mm(L*W*H)	Body Color	PC Black/white/Yellow
Height	300mm	Number Of Differentials	"Steel"2P	Gift Box Size	630*285*325mm
Wheel Base	324mm	ESC	WP-1060 / 60A	Piece per Carton	1P

## 9. All the ways done, your car is ready to run. Hope you enjoy the fun in driving it.

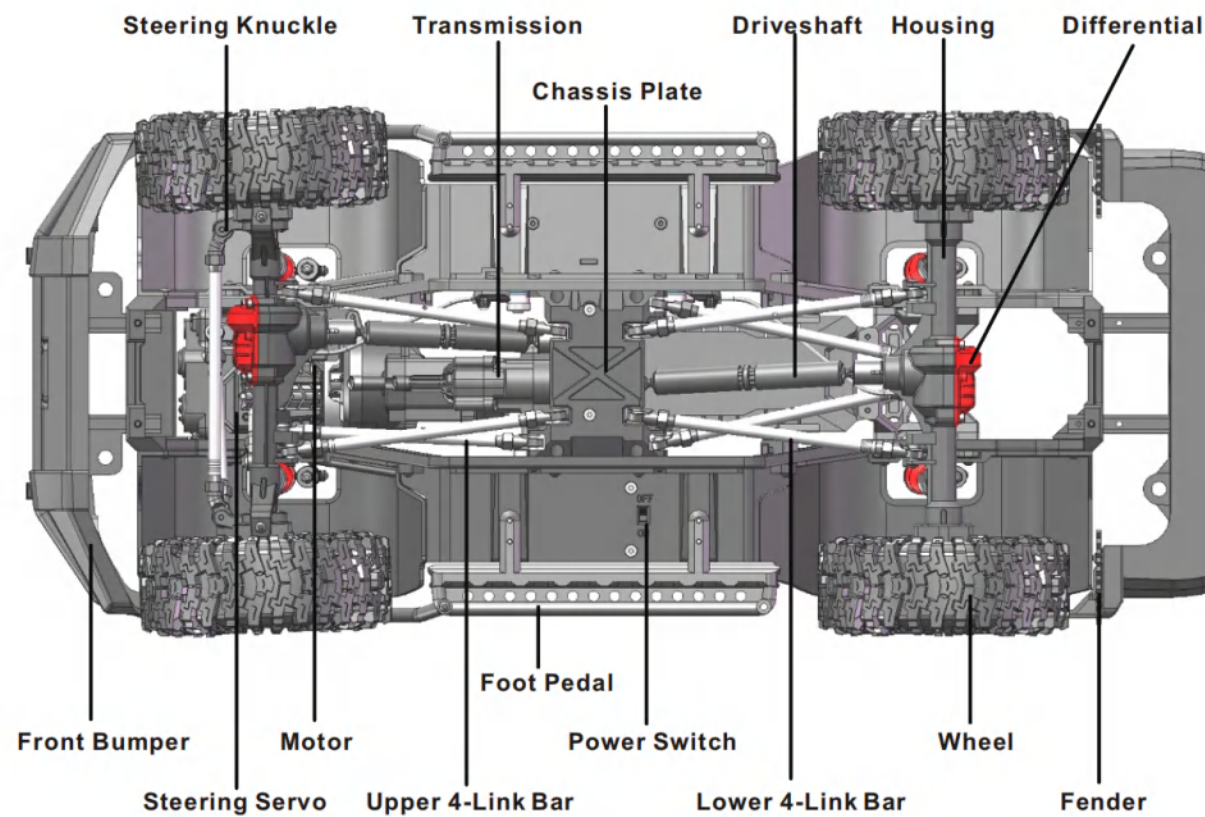
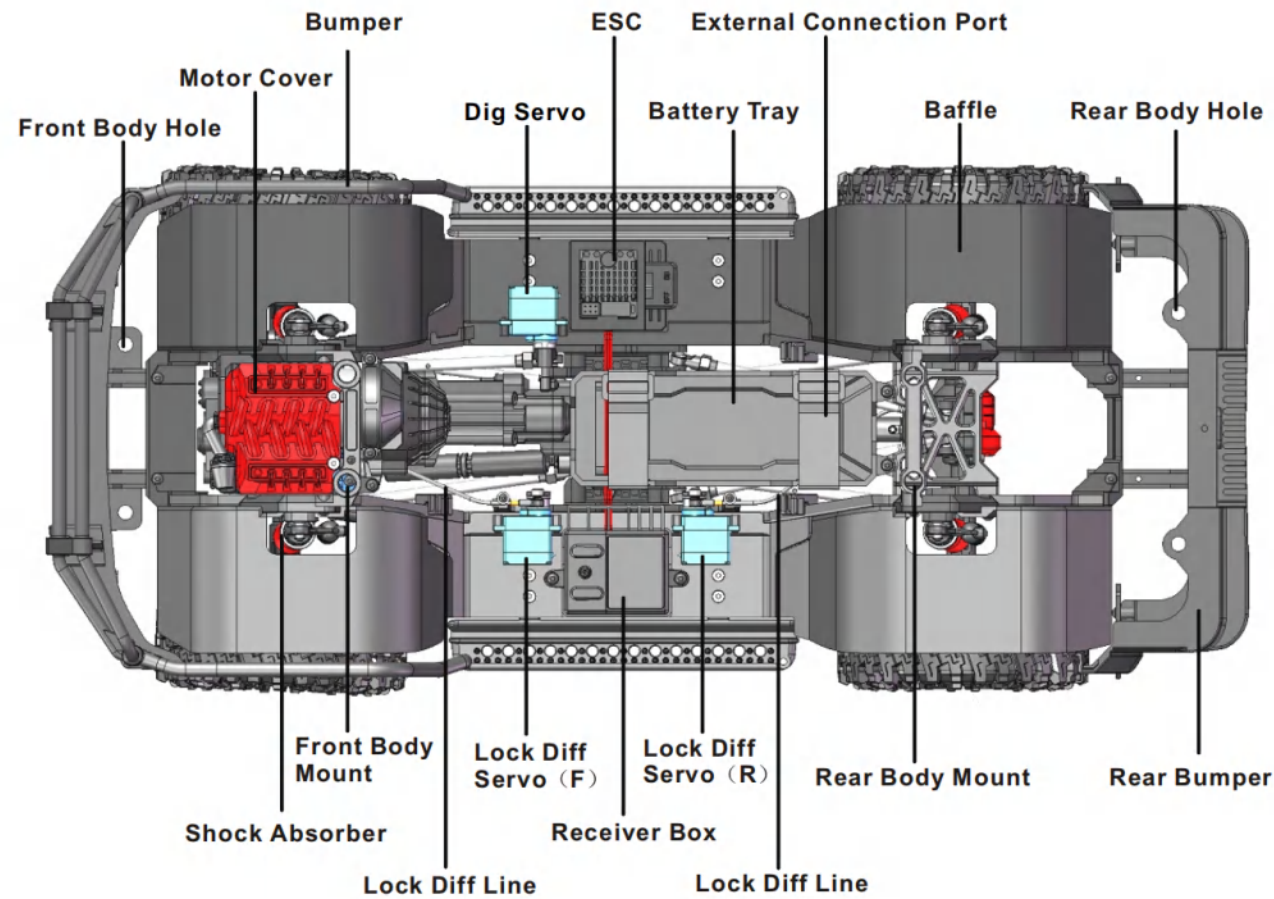
**Tip:** Always turn off the receiver and then the transmitter when not in use. Clean the car before storage.

### Vehicle Maintenance:

- 1). Please remove the battery pack plug or take it out, when the car is out of use.
- 2). Before each use, please redo the above steps and check all the parts condition if over wear.
- 3). Ensure the unused battery pack over-discharge (recommended to be above 40%), and keep in a dry and cool place, out of reach of children.
- 4). After each use, please carefully check all the parts condition, and repair or replace the worn part. Use a fine brush to sweep the sand, marl and other dirt inside the model, then wipe it cleanly by a soft cloth.



## 10. Vehicle parts

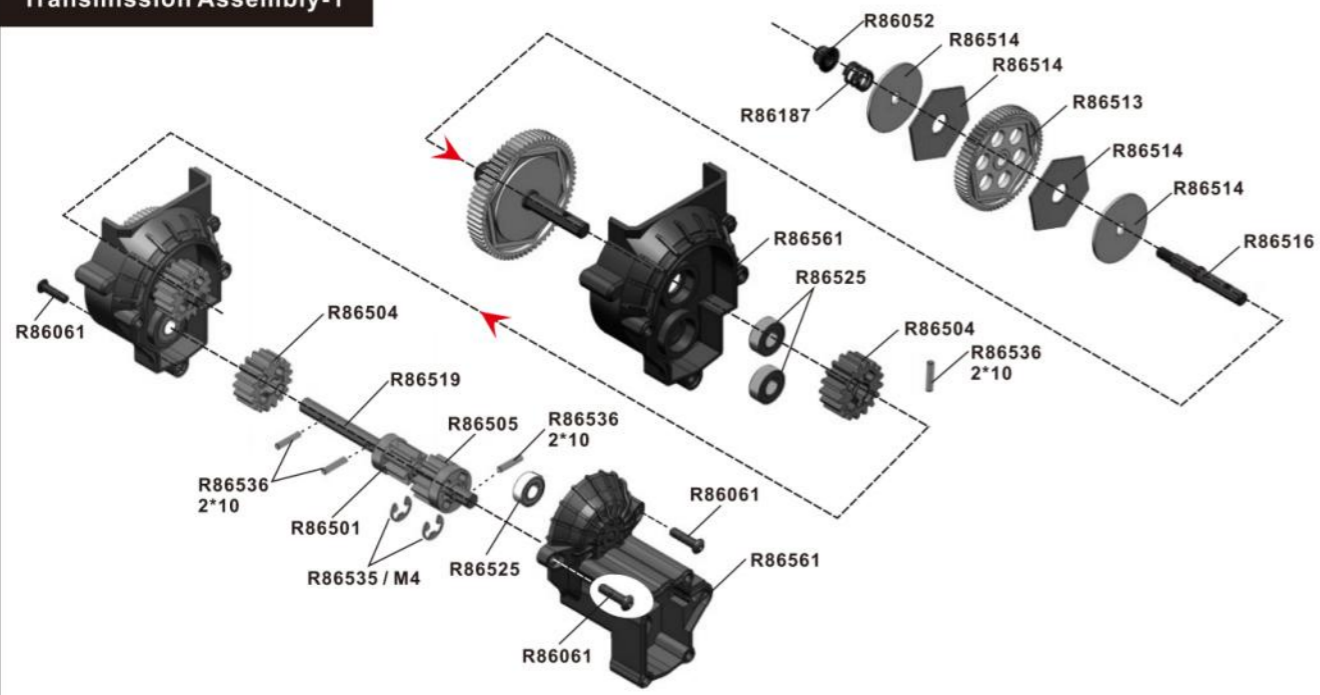


## 11. Troubleshooting

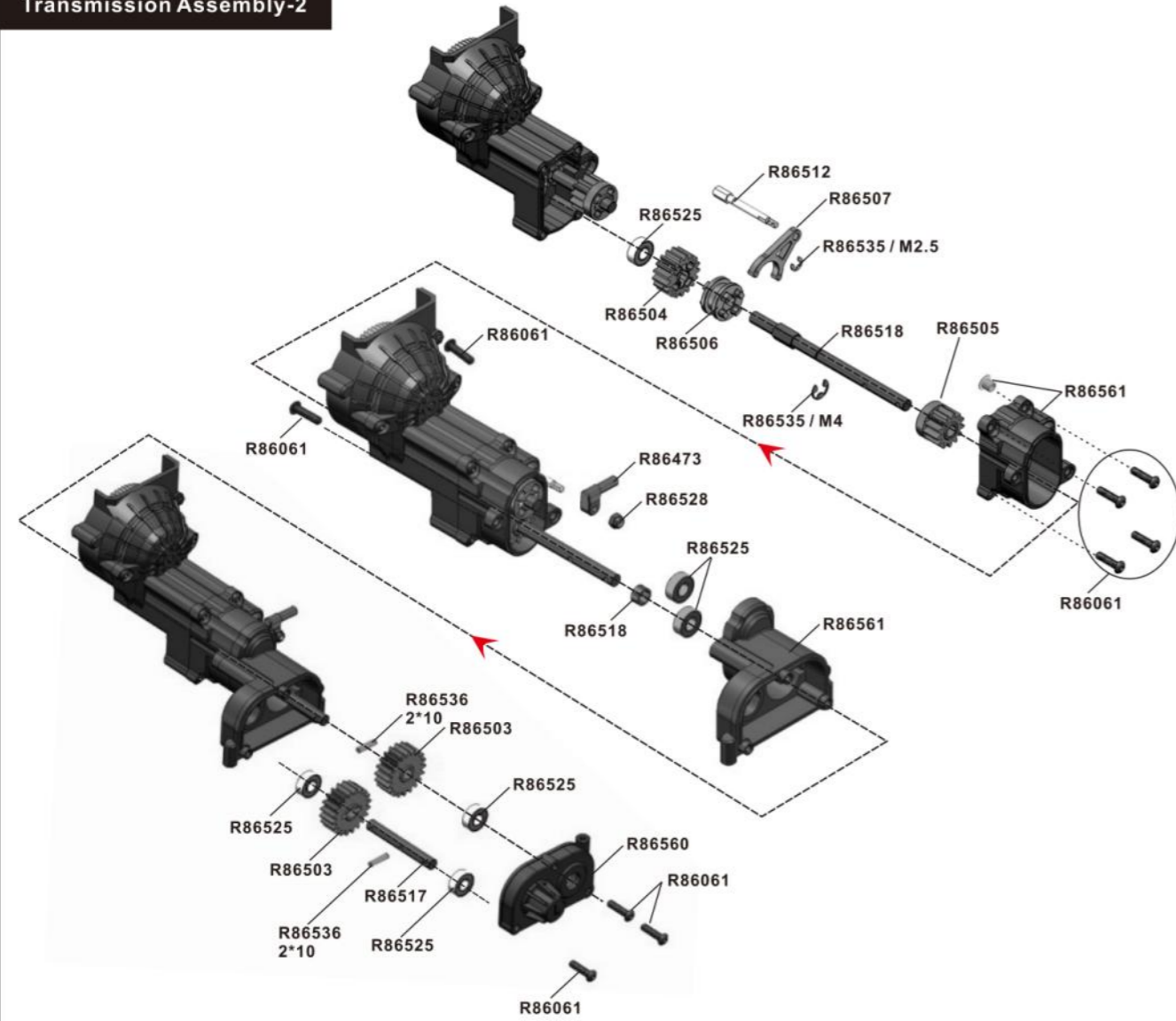
Problem	Possible Cause	Solution
Car does not respond during operation	Electronic plugs loose or fall off	Switch off and reconnect
	Vehicle battery not charged, activating the ESC low voltage cut-off to protect the battery	Replace/recharge the vehicle battery
	Motor or ESC dirty or damaged	replace new Motor (recommend to purchase facoty Motor)
	ESC failed	replace new ESC (recommend to purchase facoty ESC)
	ESC power off by overheated Motor	Stop operation and cool the ESC or Motor
	Motor overheated, demagnetized or damaged	replace new Motor (recommend to purchase facoty Motor)
	Transmitter batteries low or beyond the remote control distance	Replace the transmitter batteries, adjust the remote control distance
	Transmitter damaged	Relace or contact seller
No Backward, forward normally	ESC "operation mode" setting error	Refer to manual "ESC", set "operation mode" into "forward and backward reverse with brake?"
	ESC damaged	Relace or contact seller
	Throttle damaged or transmitter throttle not centered	Refer to manual "Transmitter", and reset
Car operate automatically, with no control	Throttle trim out of center on transmitter	Refer to manual "Transmitter", and reset
	Neutral throttle is in incorrect position	Adjust ESC in neutral point
Normal operation, speed shift failure	Error Operation	Ensure to operate in stop status, more refer to the Manual
	Gear Cable damage or loose	Replace the accessory or Readjust
	Servo wire inserts in wrong Receiver slot	Refer to the manual, Readjust
Sluggish Action	Battery damaged / not charged	Check, change or recharge
	Throttle trim out of center on transmitter	Adjust (refer to manual "transmitter")
	Motor dirty/ damaged	Clean/ replace
Light Function Failure after Battery properly installed	Drivetrain dirty / damaged	Check and clean
	Light Plug is not connected or in wrong postion	Check the plug connection
	Transmitter Set Error or Light Control Panel Damage	Reset the Transmitter. Otherwise, please check the light control panel is damaged or not.
Lack of steering and throttle	Light Cable in wrong installation and connection	Readjust the installation and Connection
	ESC power off by overheat	Stop operation, cool the ESC
	Transmitter too near interfere electrical objects	Check and rebind transmitter and receiver, refer to manual
Vehicle moves left / right without steering input	Steering accessories damaged	Check and replace
	Wheel loose	Check and replace
	Drivetrain dirty / damaged	Check and replace
Controls Reversed	ST. REV or TH. REV	Change switch position, refer to manual
	Check the wires between ESC and Motor correct or not	Switch the motor black and red wire
Clicking noise in operation	Check the bodyshell damaged or fall off	Retrim or replace
	Loose or tight between motor gear and main gear	Reset gear mesh
	Gear damaged or rocked	Remove gear cover and inspect. If necessary, replace gear
Only steering, no forward and backward	ESC failed or abnormal	Reset the neutral point or replace
	Transmitter failed or abnormal	Relace or contact seller



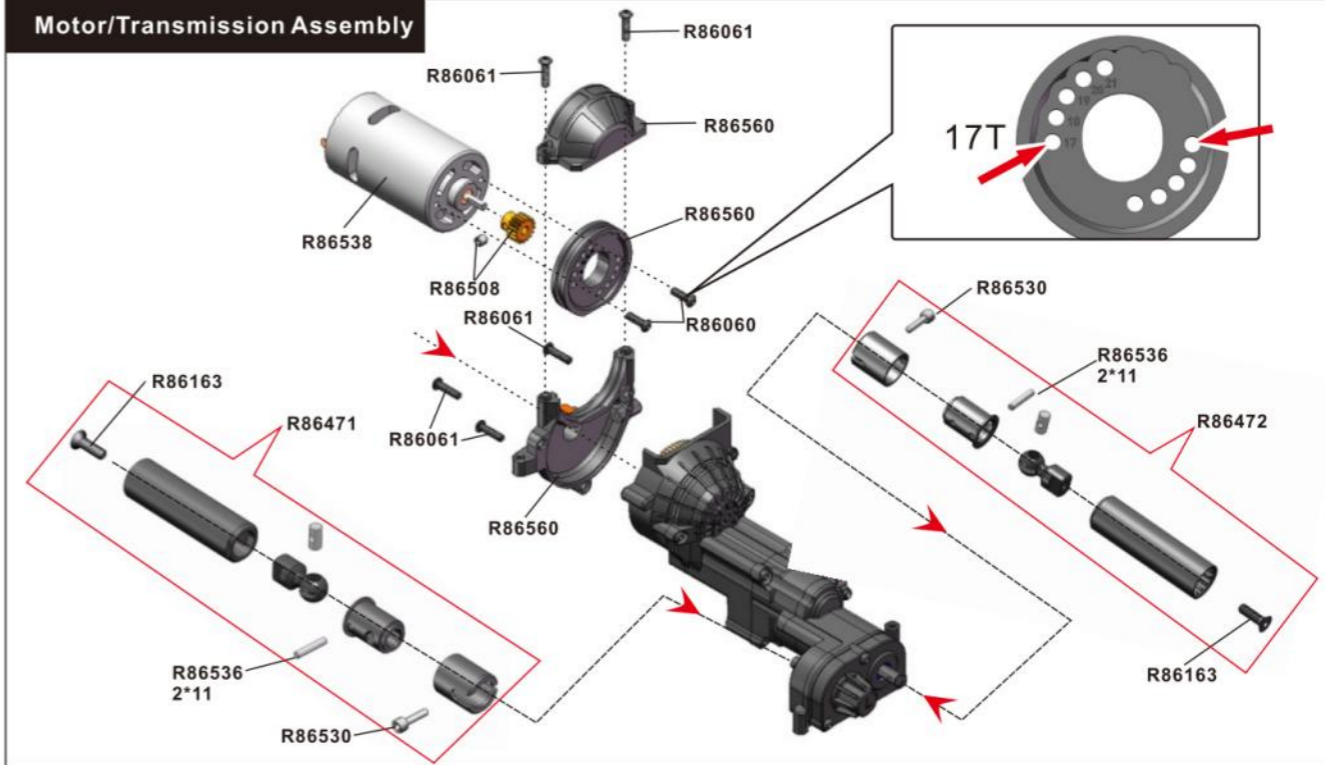
### Transmission Assembly-1



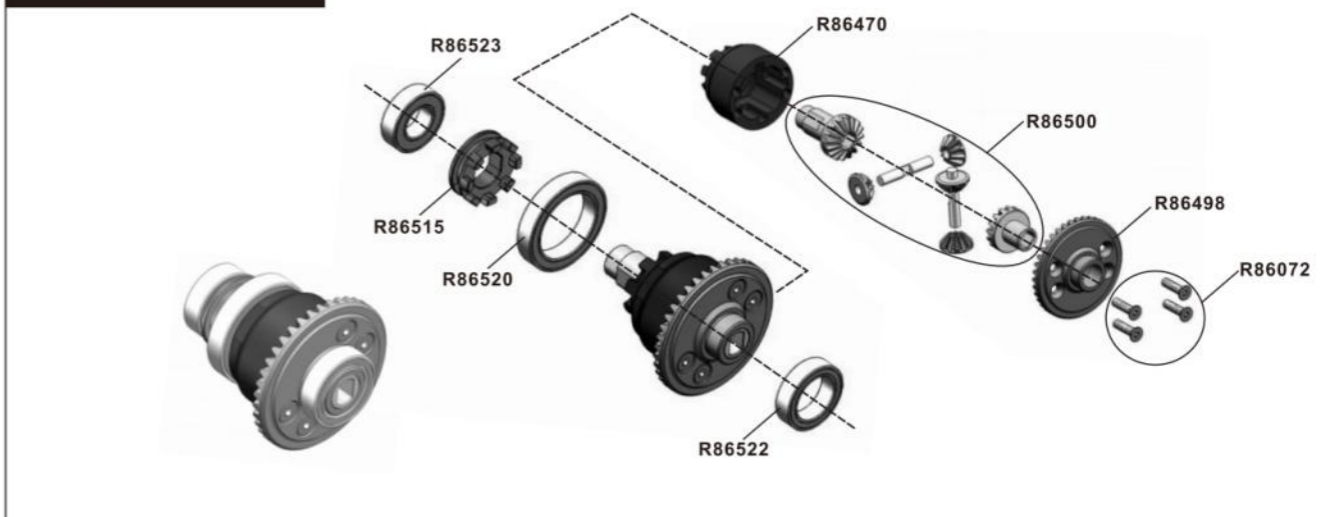
### Transmission Assembly-2



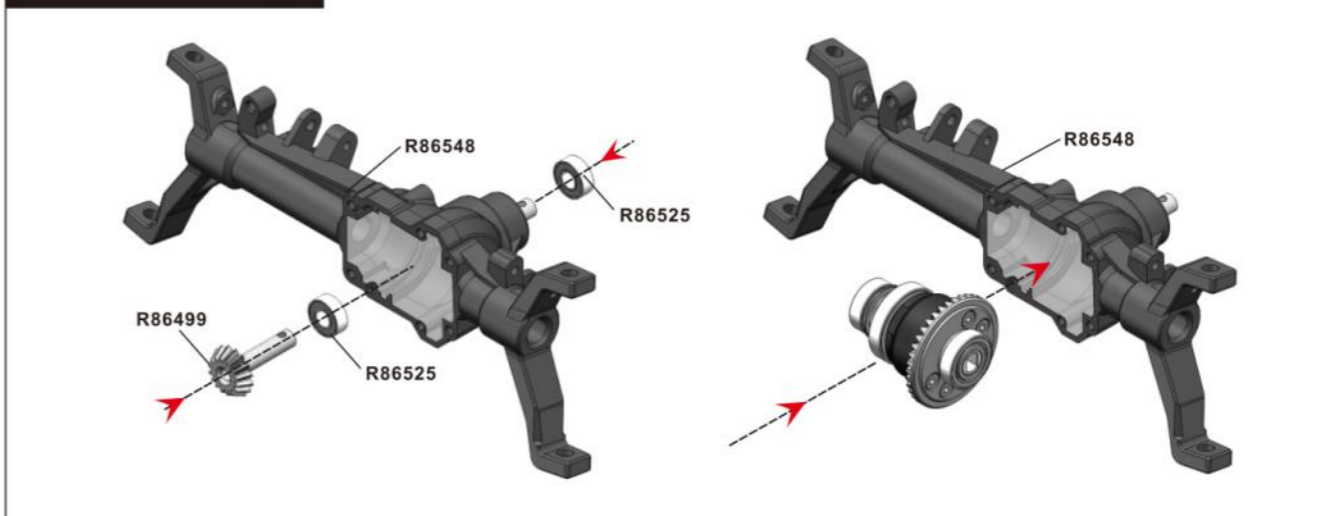
### Motor/Transmission Assembly



### Diff. gear Assembly

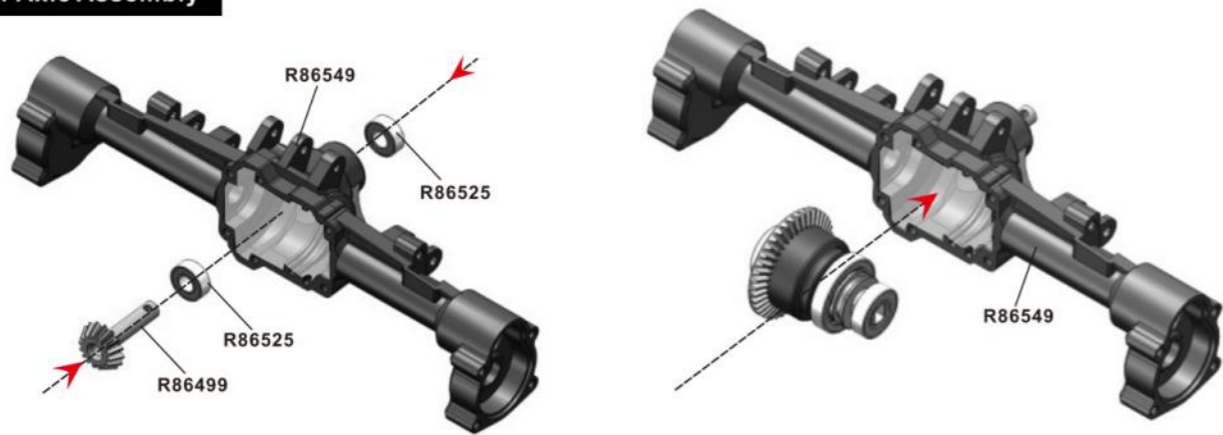


### Front Axle Assembly

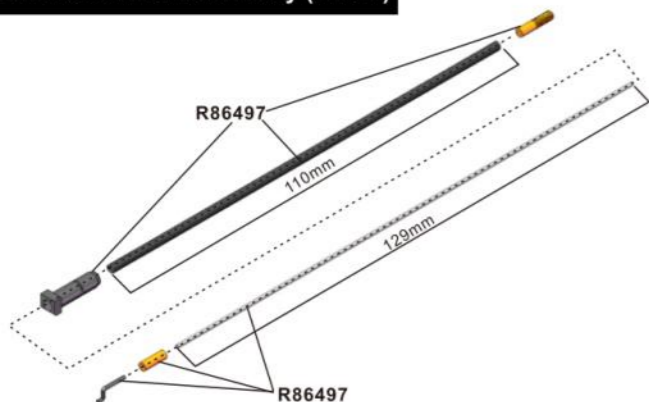




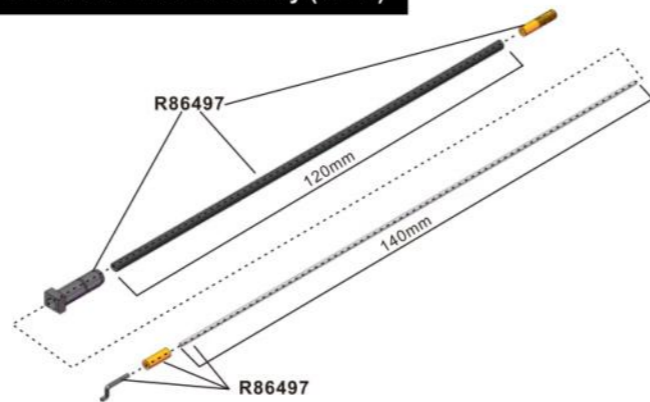
**Rear Axle Assembly**



**Diff.Lock Line Assembly (Front)**



**Diff.Lock Line Assembly (Rear)**

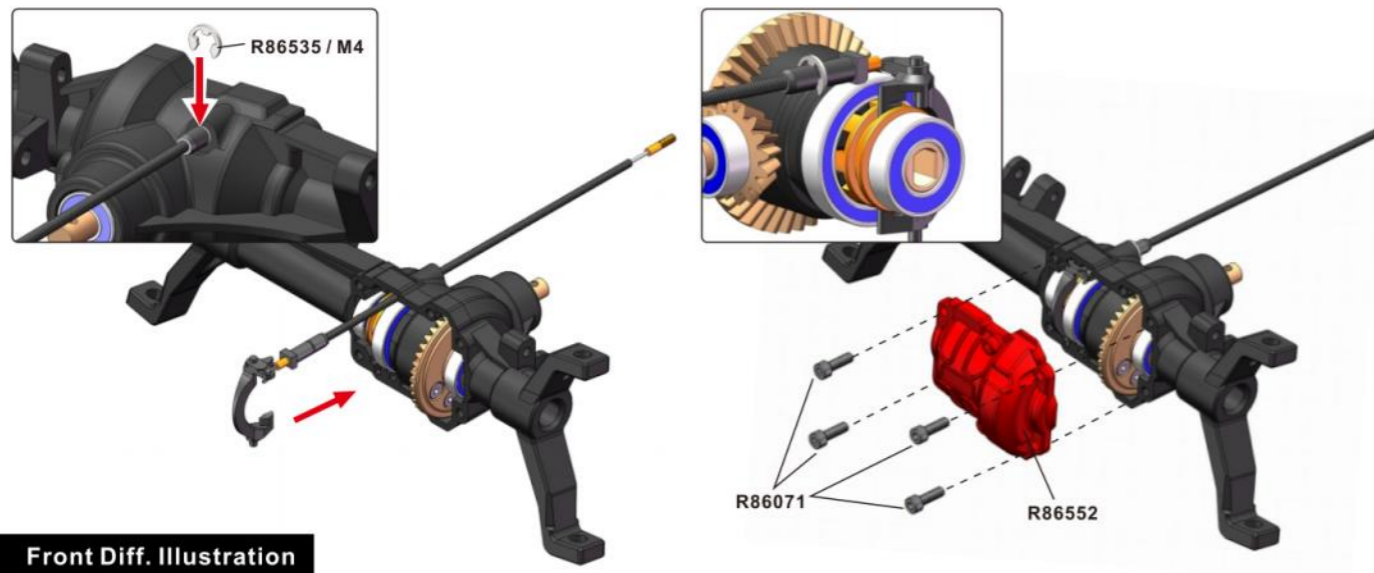
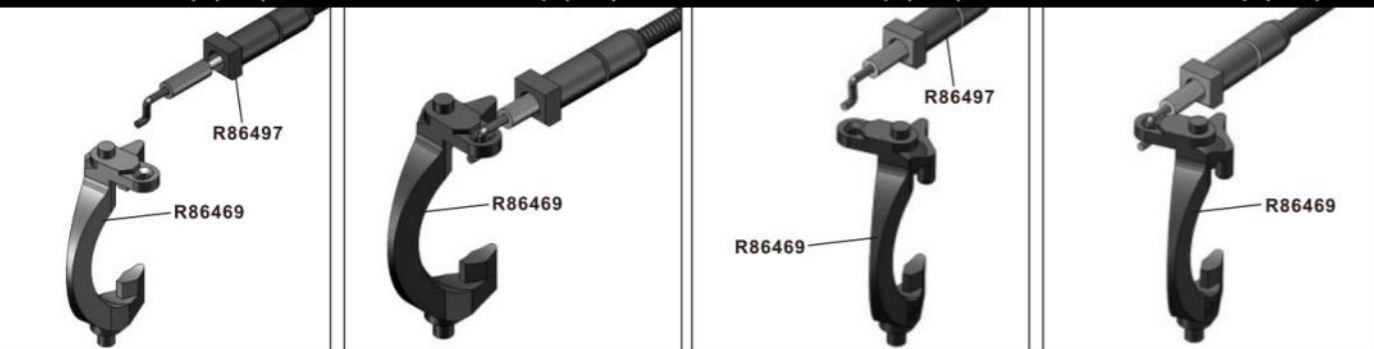


**Diff. Lock Clasp (F-1)**

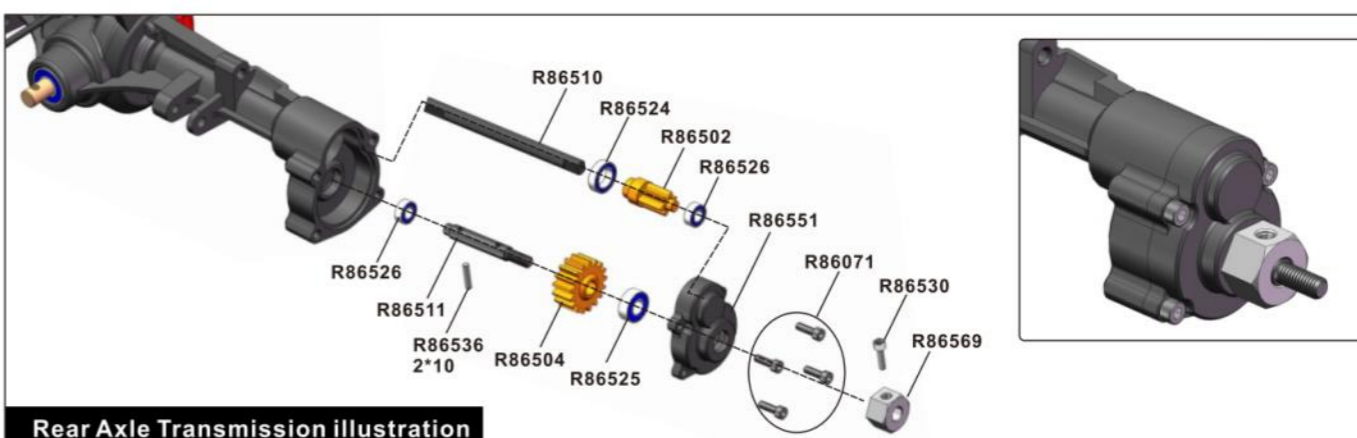
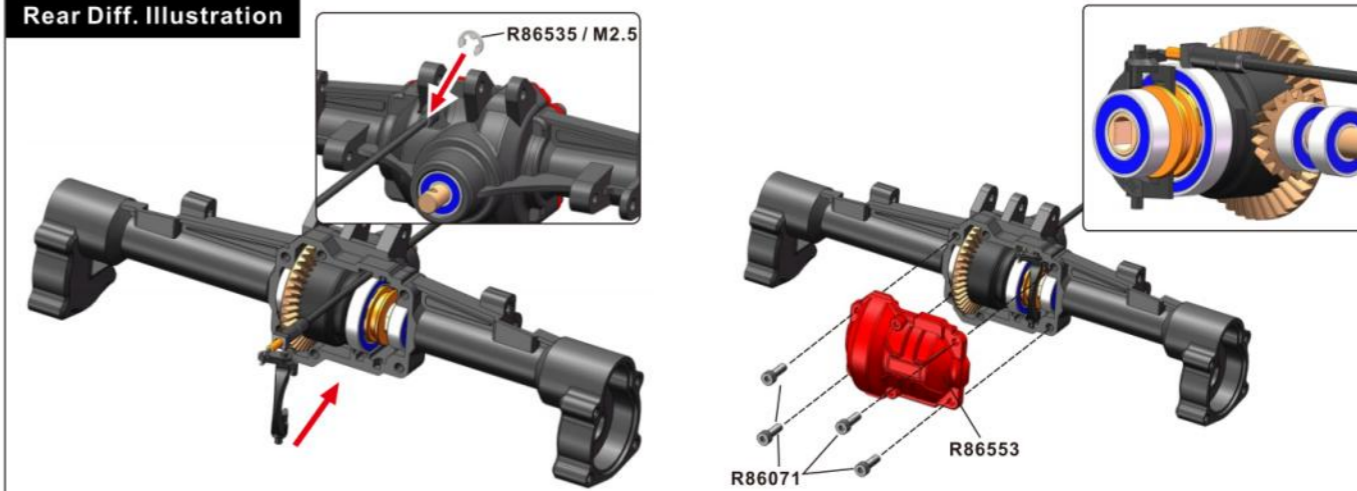
**Diff. Lock Clasp (F-2)**

**Diff. Lock Clasp (R-1)**

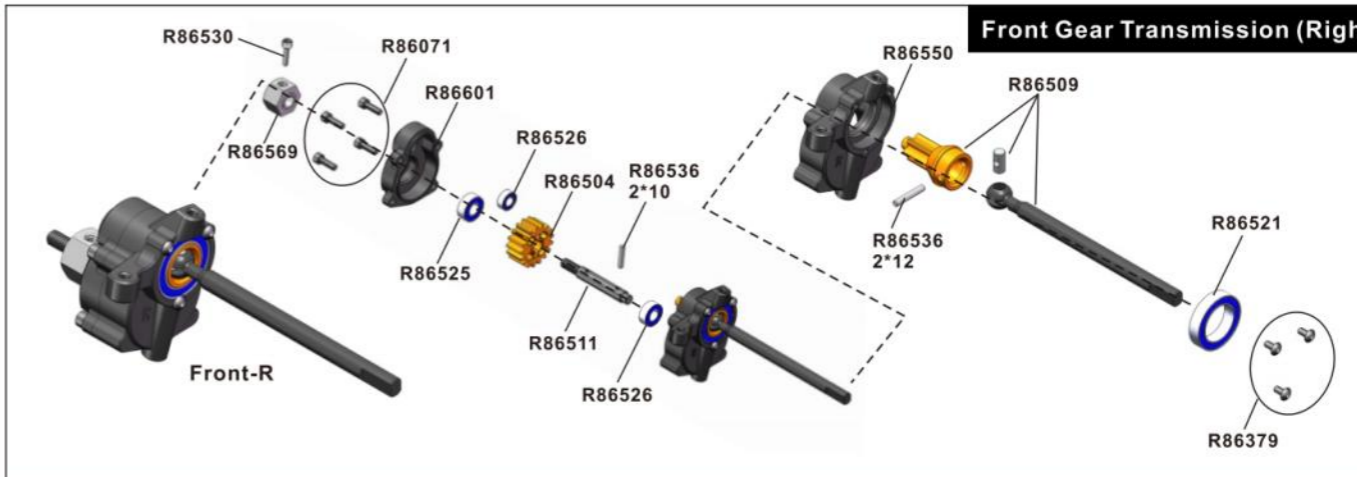
**Diff. Lock Clasp (R-2)**



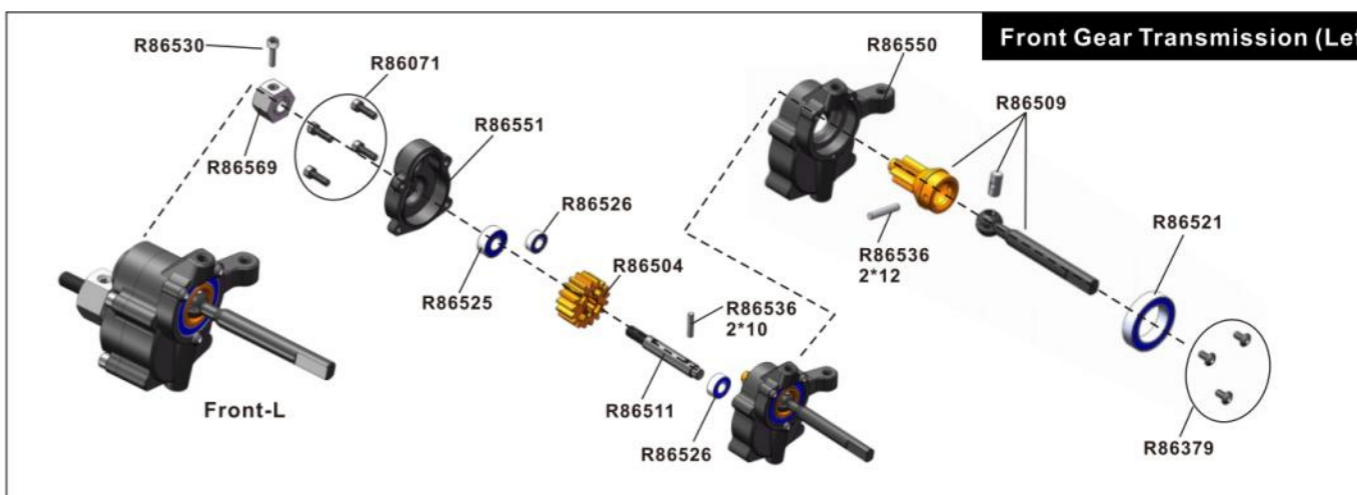
**Rear Diff. Illustration**



**Rear Axle Transmission illustration**



**Front Gear Transmission (Right)**



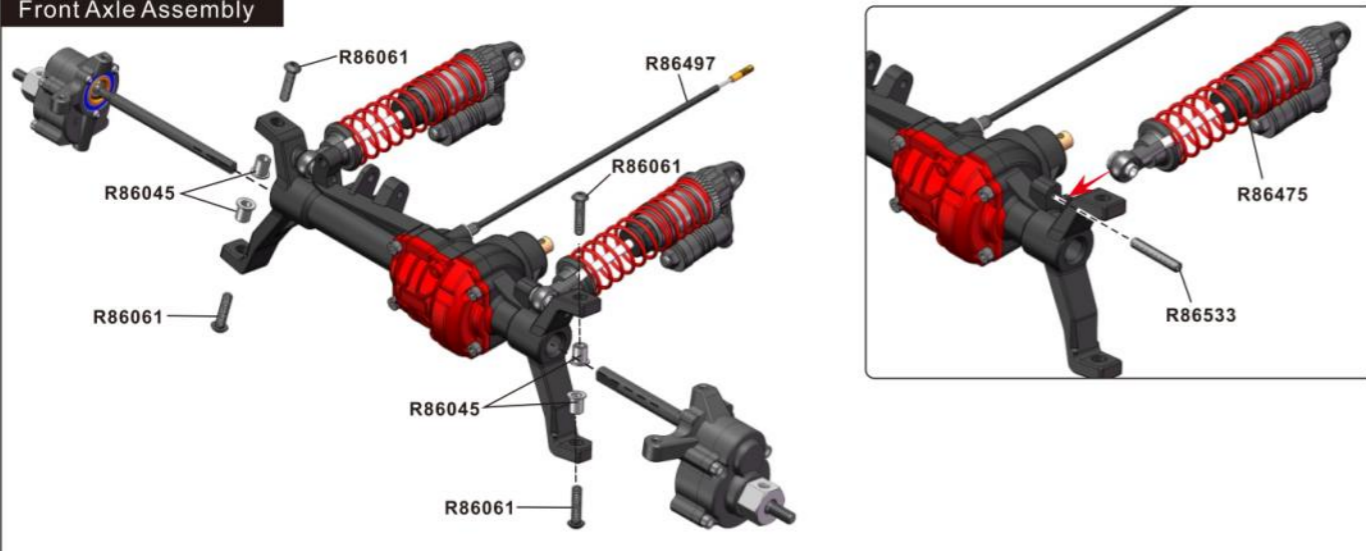
**Front Gear Transmission (Left)**



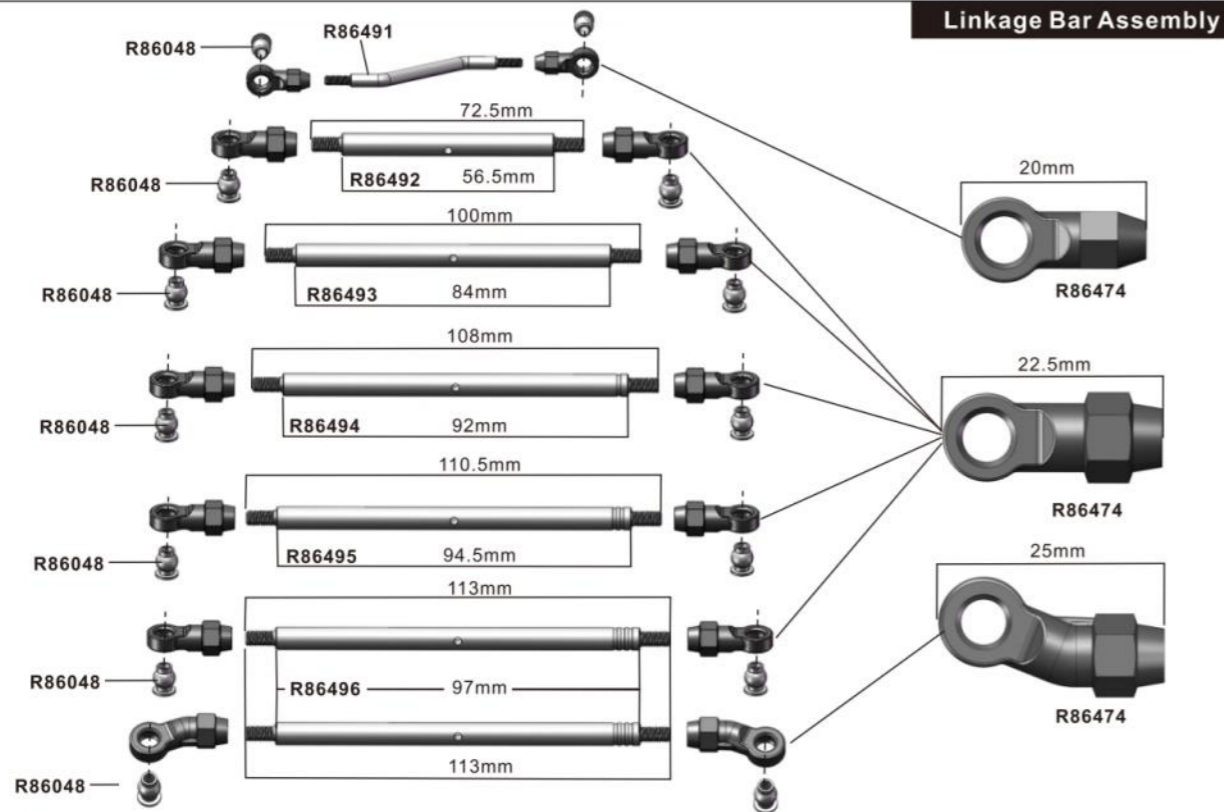
### Shock Absorber Assembly



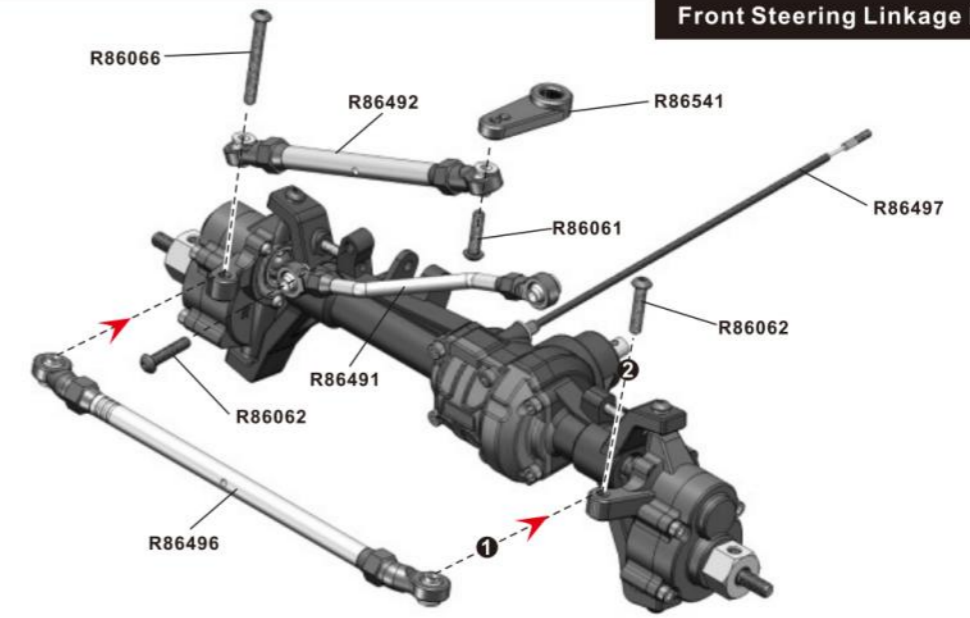
### Front Axle Assembly



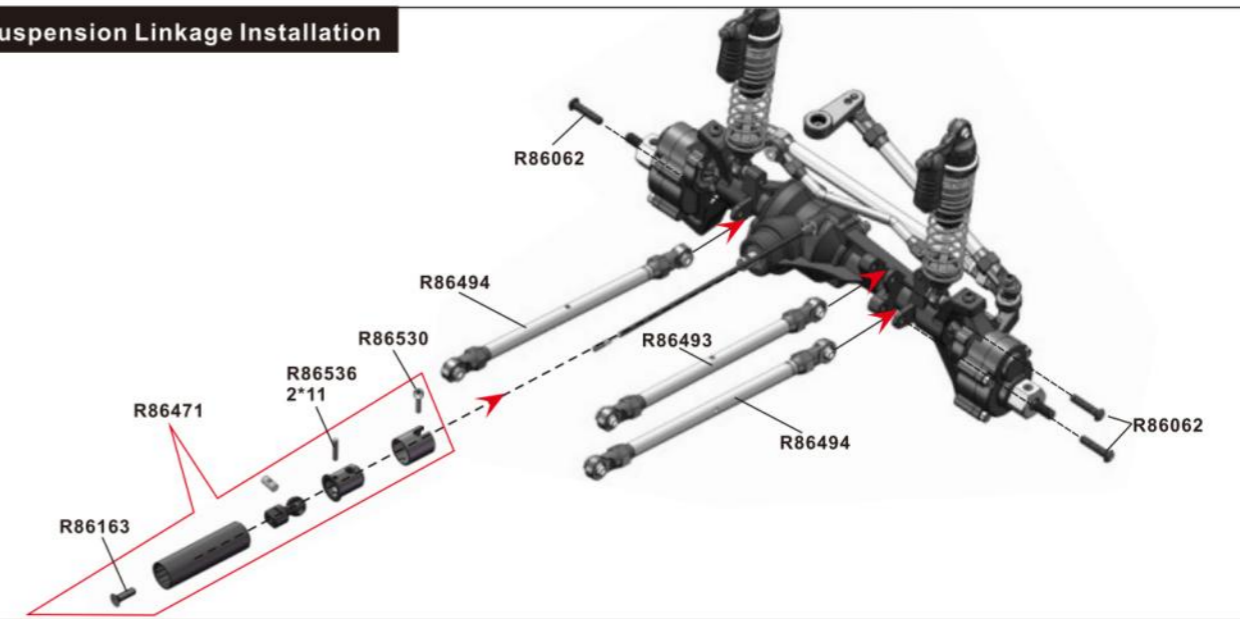
### Linkage Bar Assembly



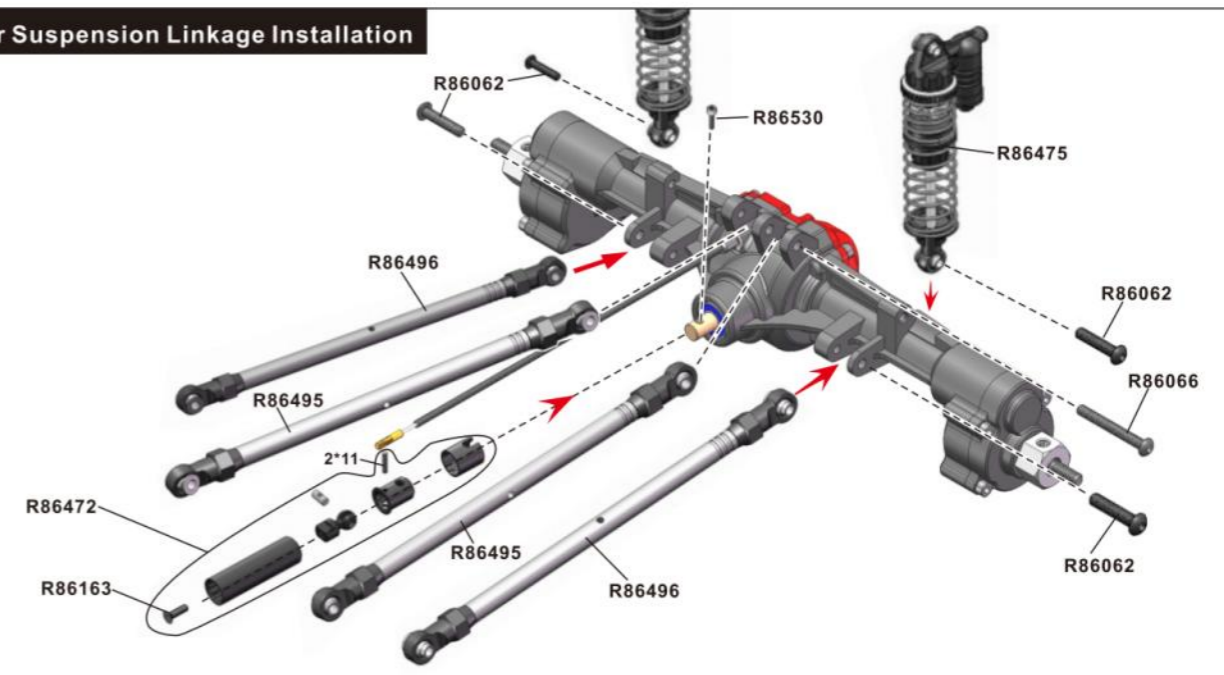
### Front Steering Linkage Installation



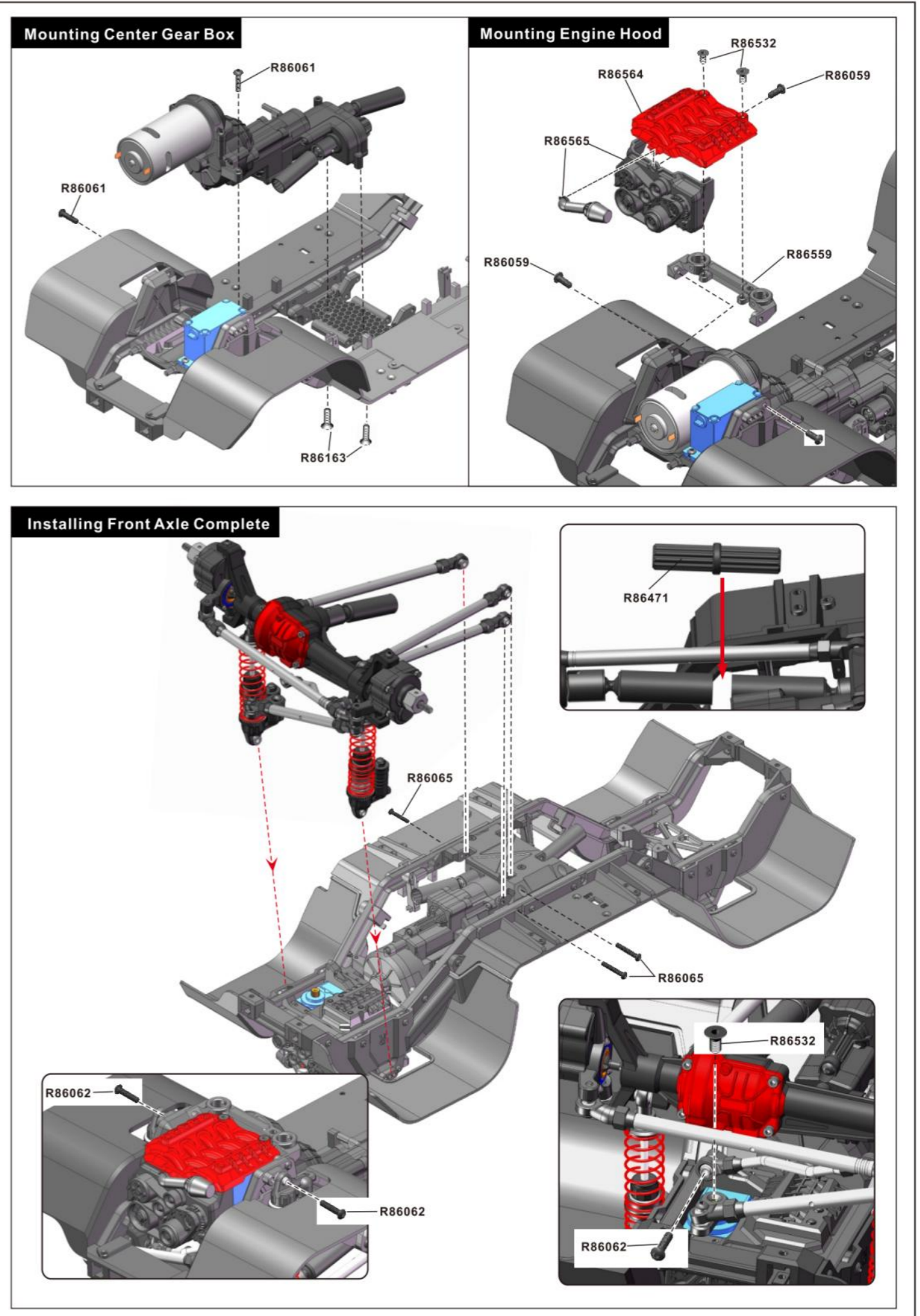
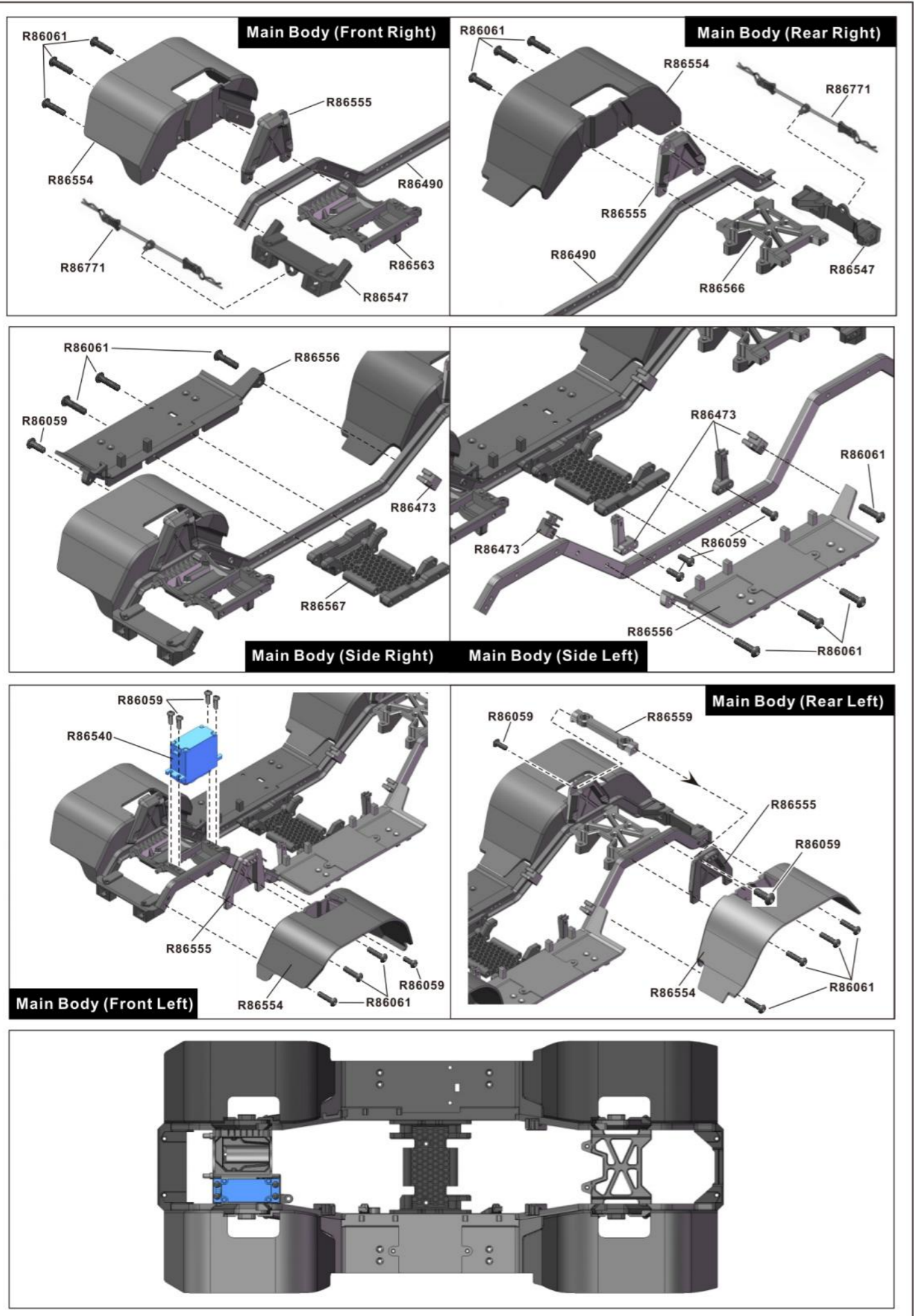
### Front Suspension Linkage Installation



### Rear Suspension Linkage Installation

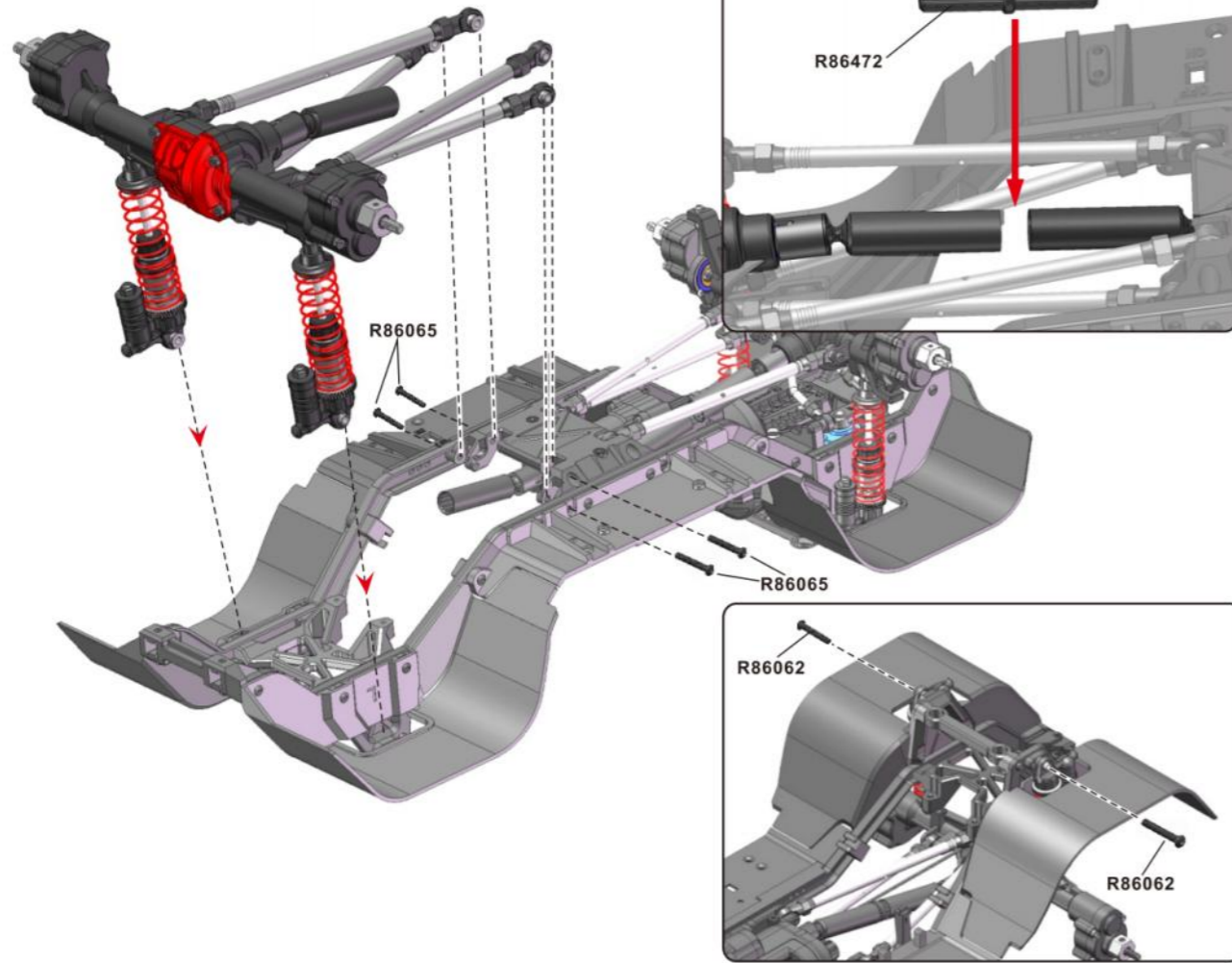




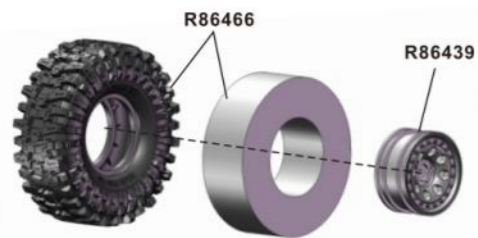




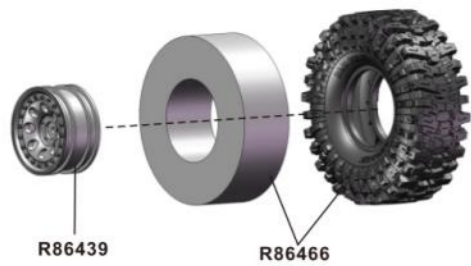
**Installing Reer Axle Complete**



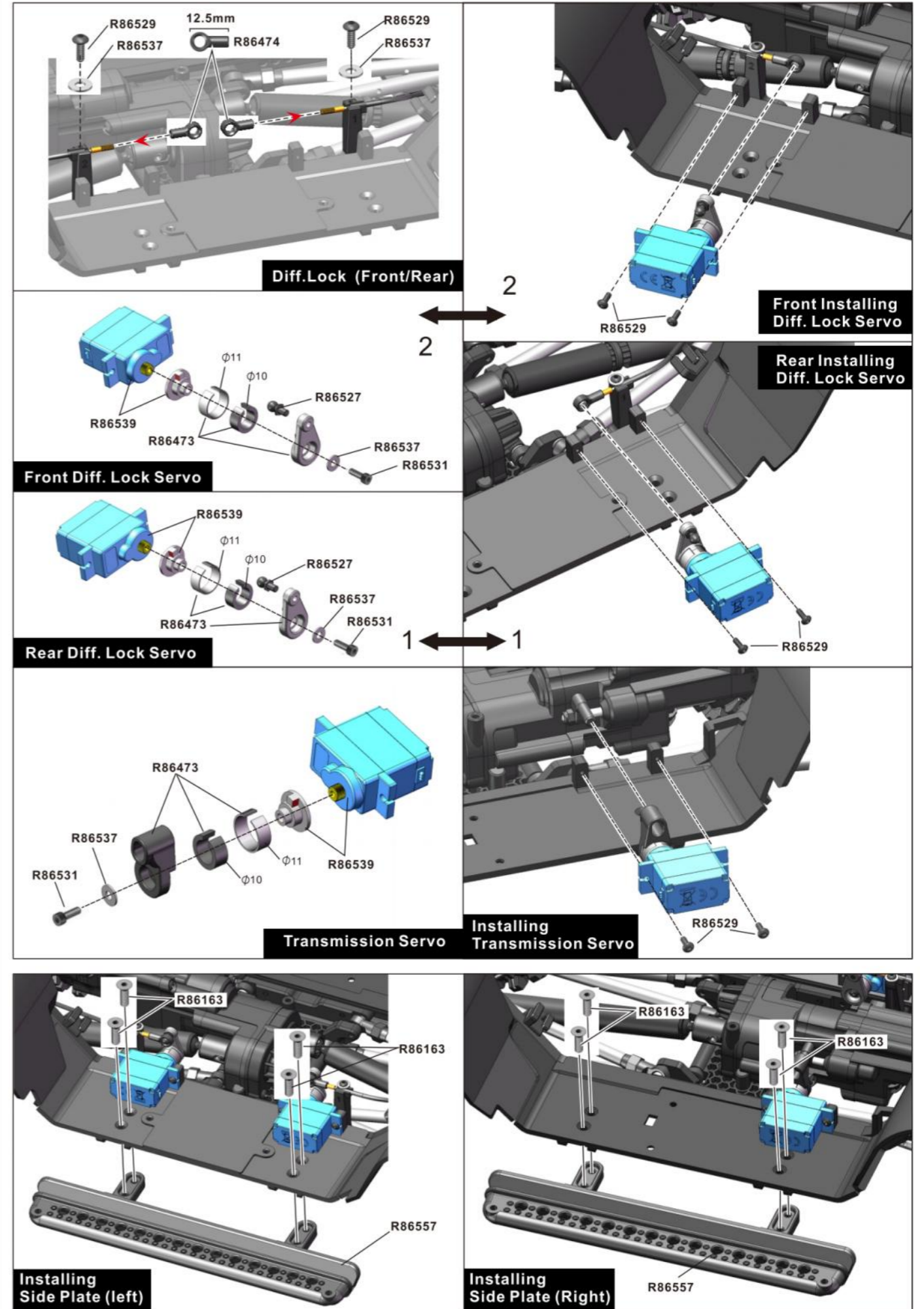
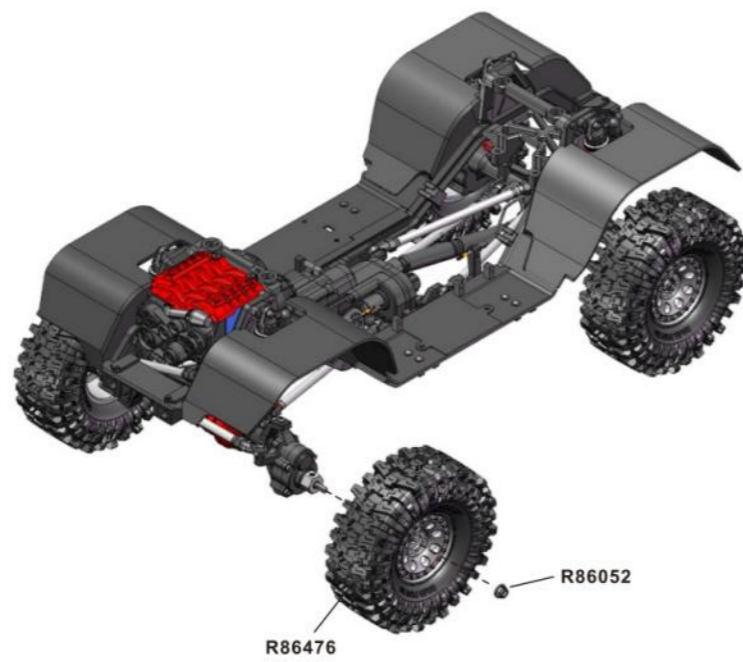
(Left)



(Right)

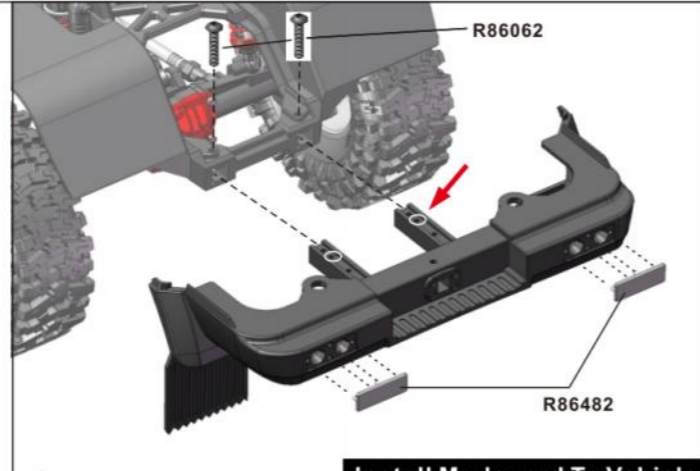
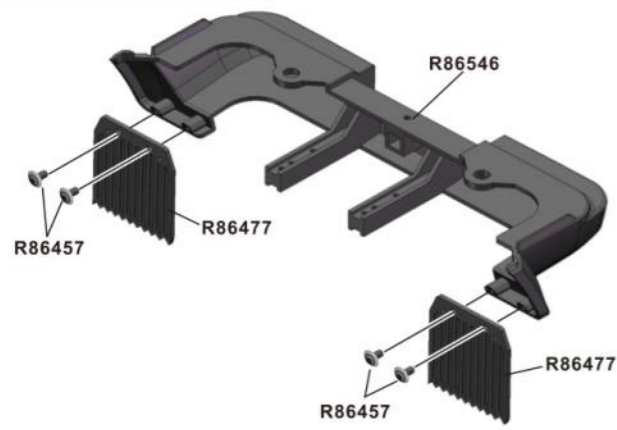


**Installing Wheel Complet To Vehicle**



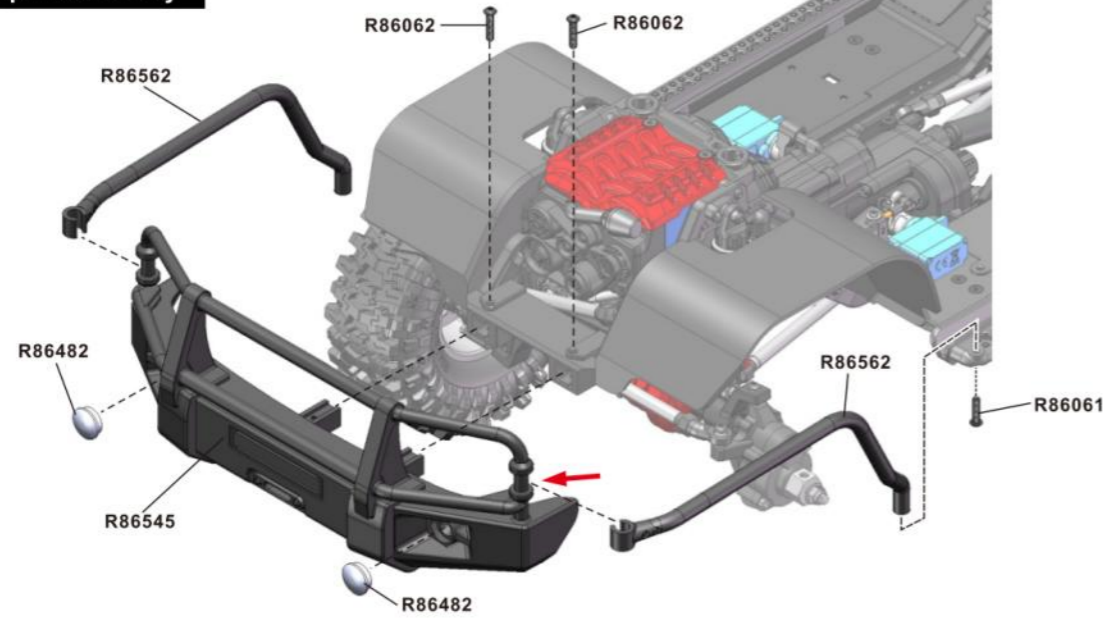


**Mudguard Assembly**

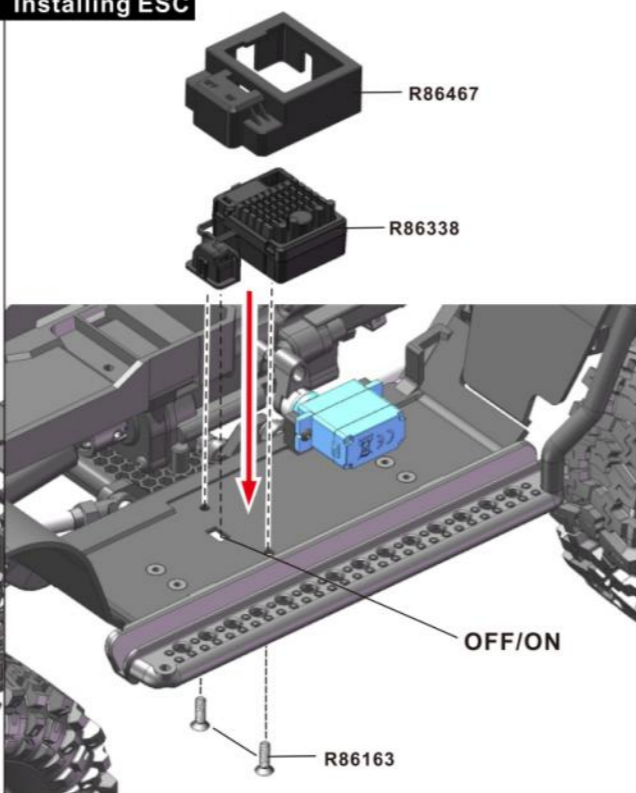
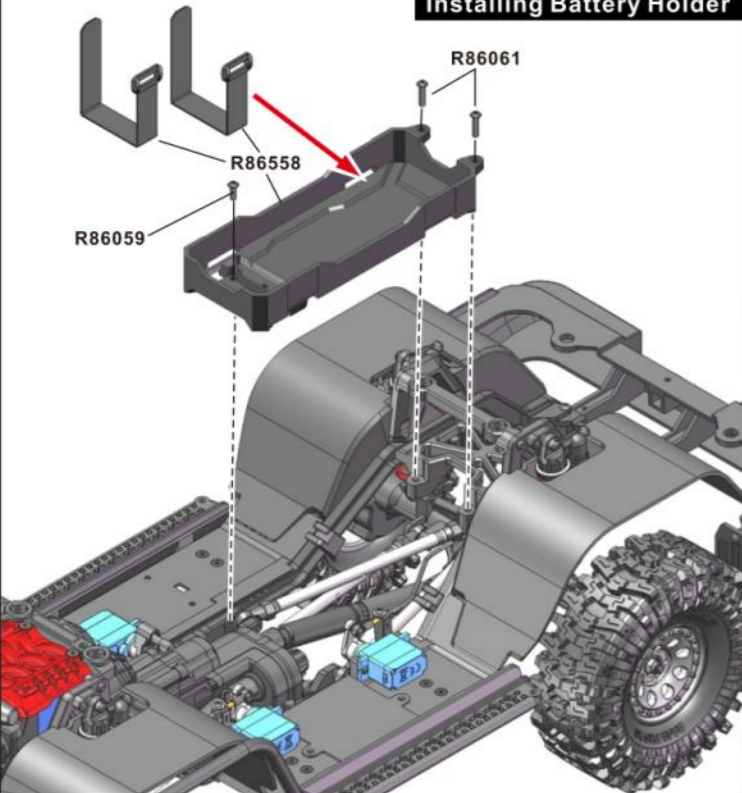


**Install Mudguard To Vehicle**

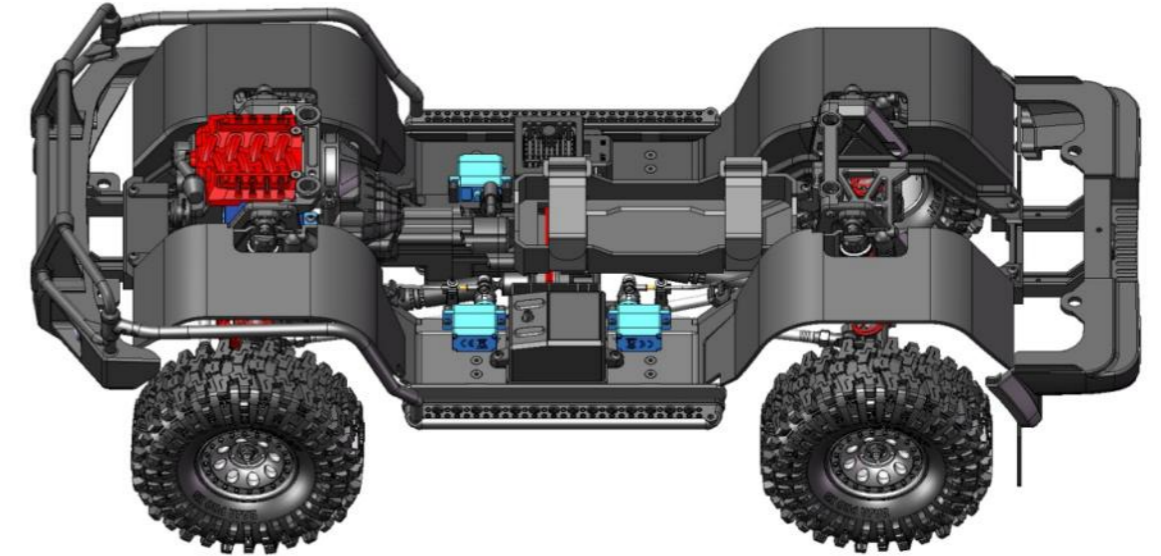
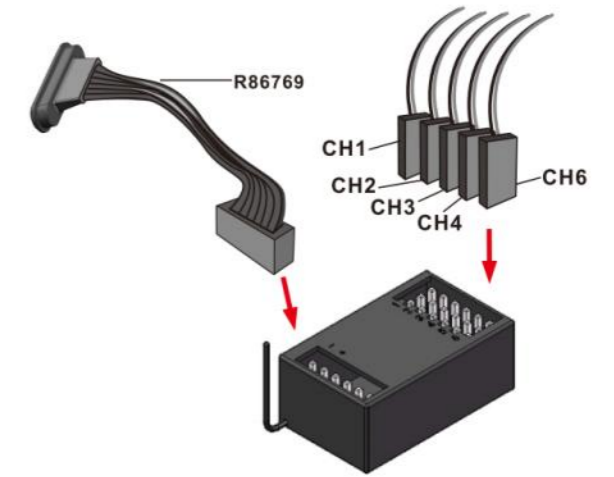
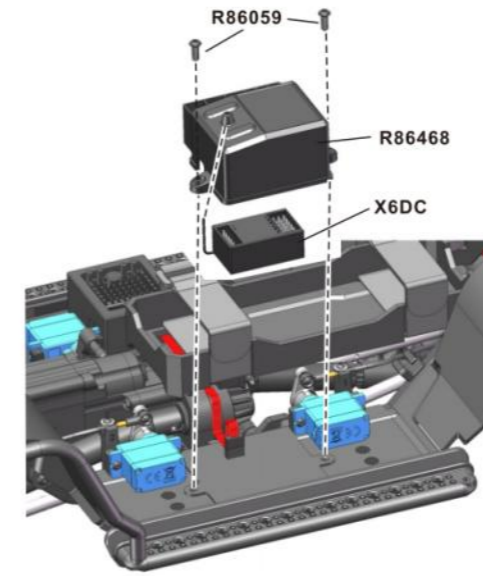
**Front Bumper Assembly**



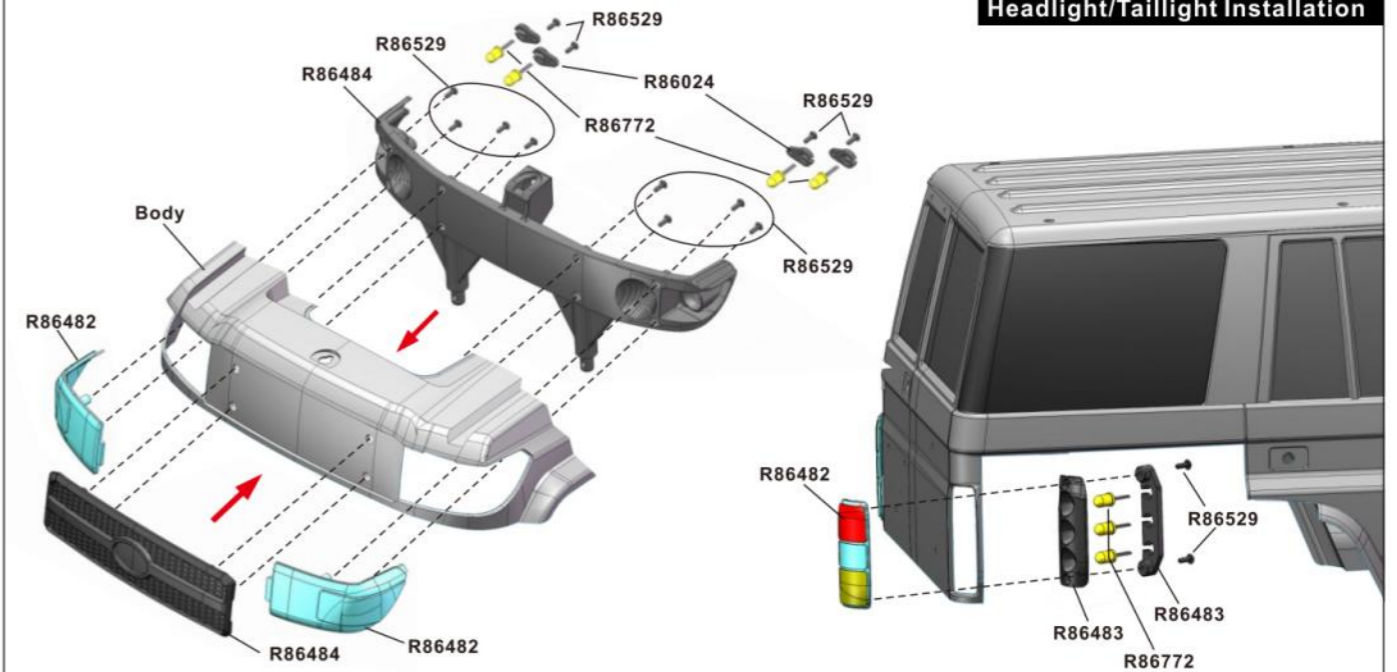
**Installing Battery Holder Installing ESC**



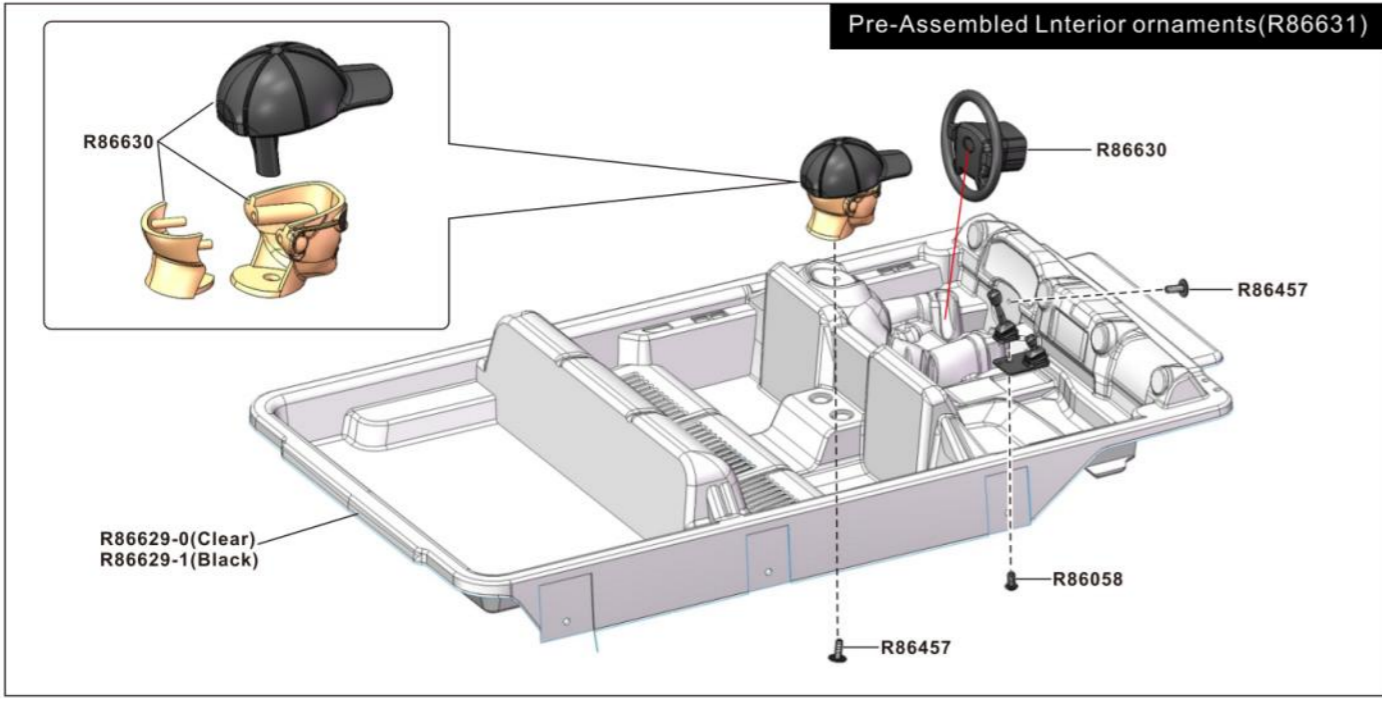
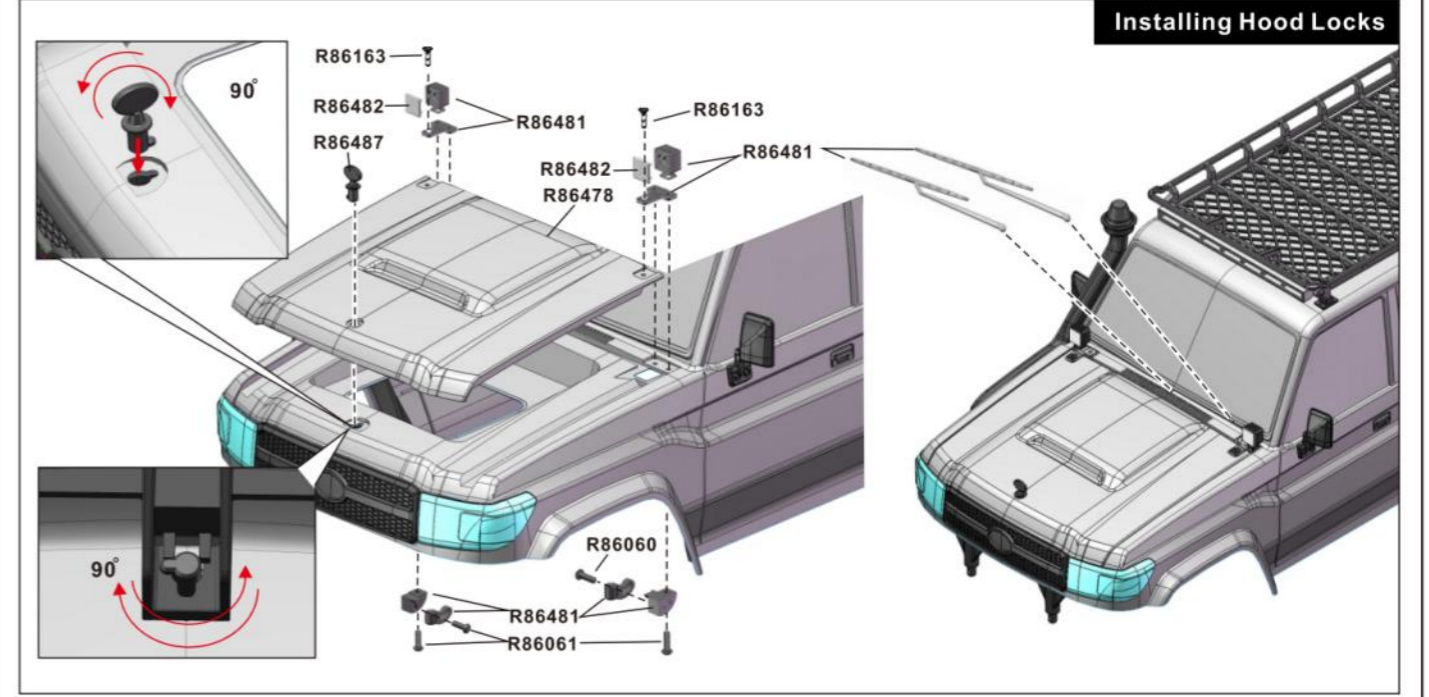
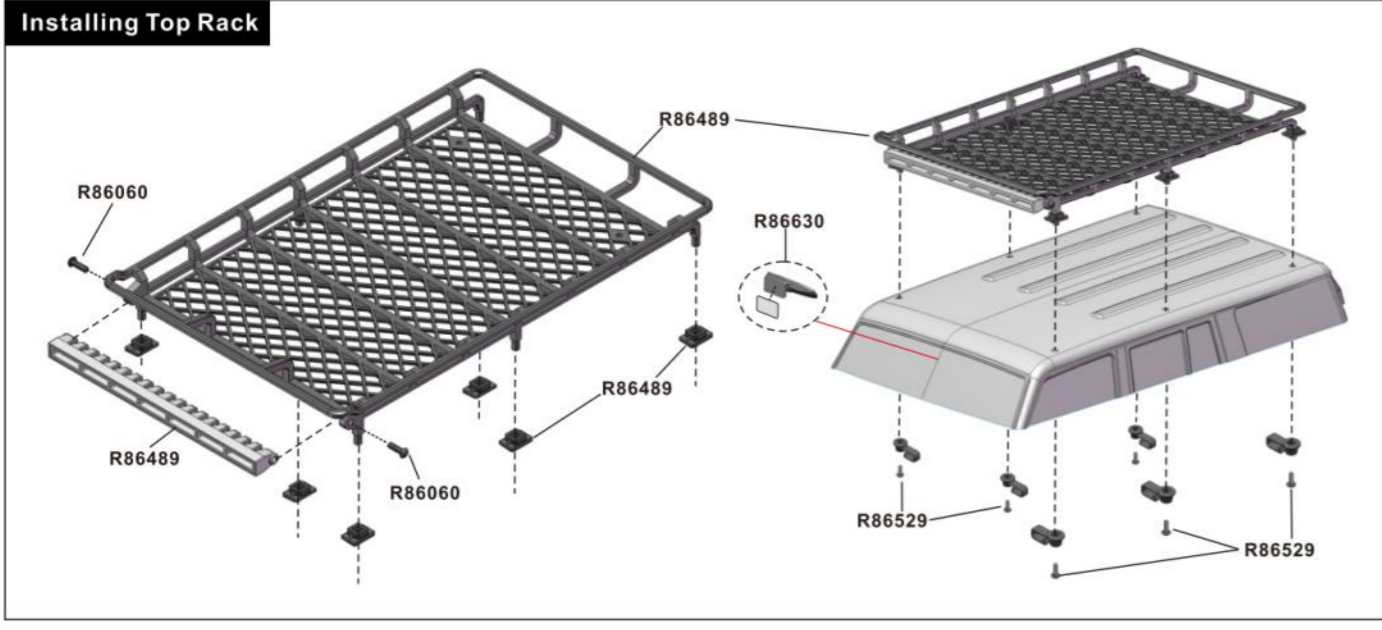
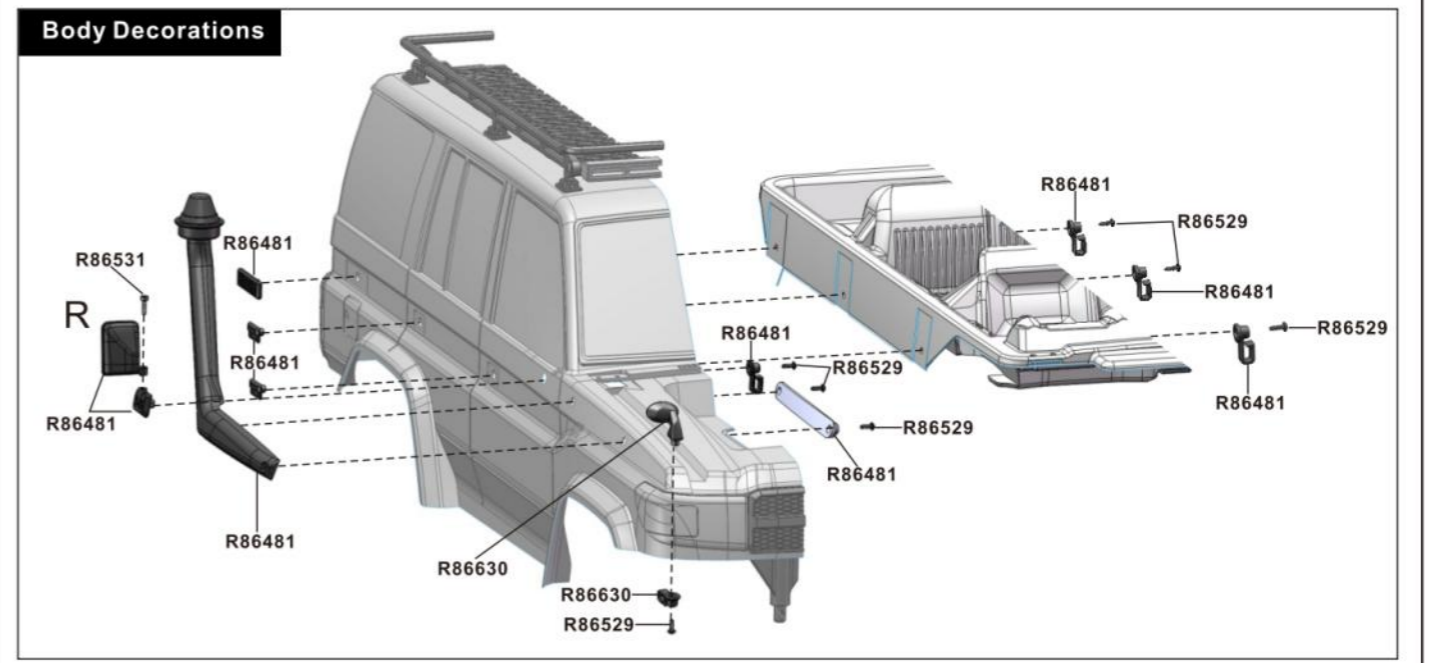
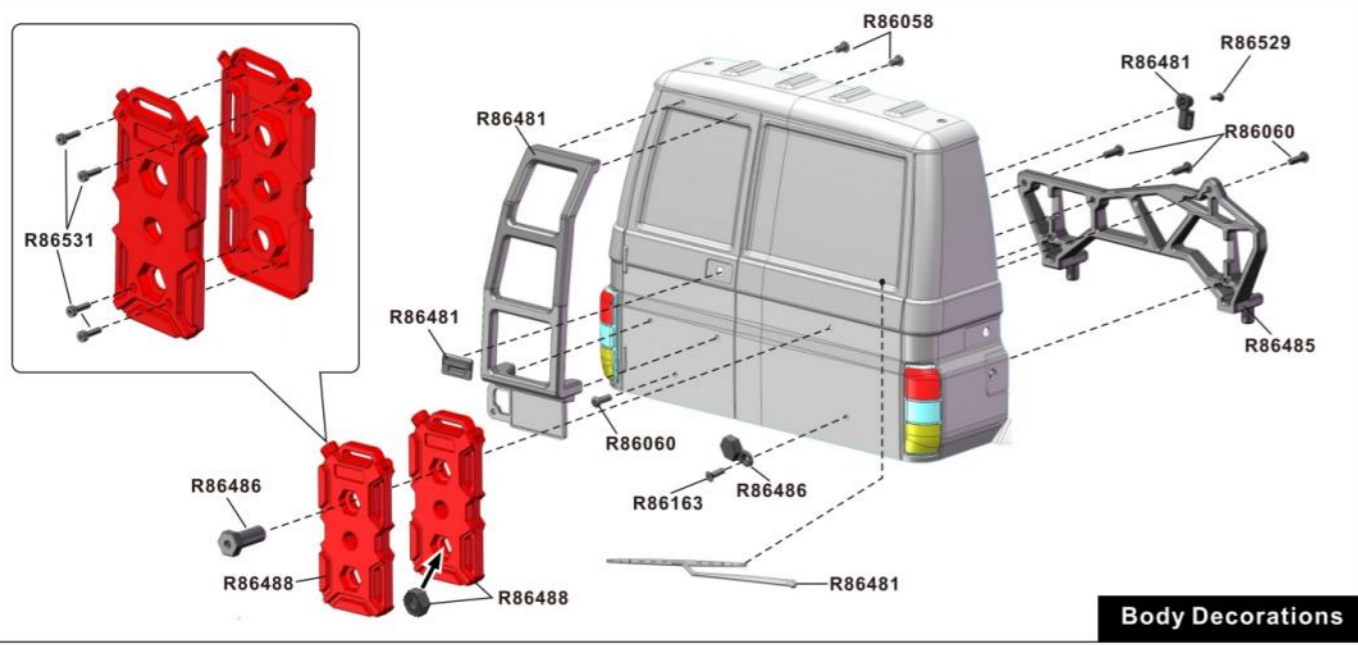
**Installing Receiver**



**Headlight/Taillight Installation**





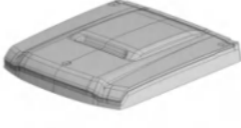
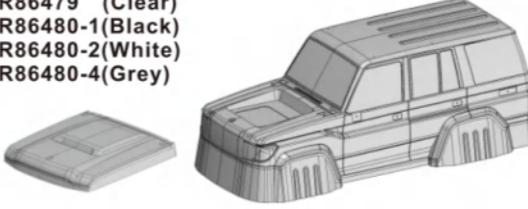


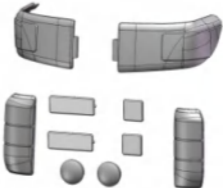






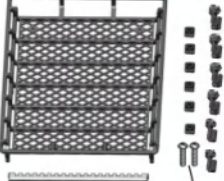




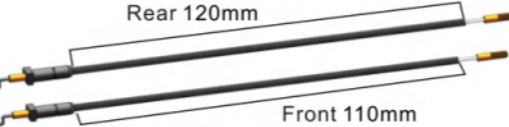





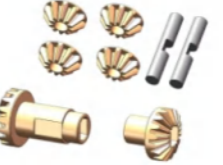
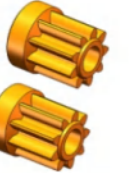
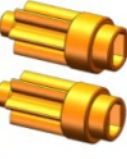








Spare Part				
<b>R86545</b>  Front Bumper	<b>R86546</b>  Rear Bumper	<b>R86547</b>  Bumper Mount	<b>R86548</b>  Front Housing	<b>R86549</b>  Rear Housing
<b>R86550</b>  Steering HubCarriers	<b>R86551</b>  Transmission Housing Lid	<b>R86552</b>  Front Gear Box Lid	<b>R86553</b>  Rear Gear Box Lid	<b>R86554</b>  Baffle A(L/R)
<b>R86555</b>  Shock Plate(L/R)	<b>R86556</b>  Baffle B(L/R)	<b>R86557</b>  Foot Pedal	<b>R86558</b>  Battery Tray	<b>R86559</b>  Body Mount(F/R)
<b>R86560</b>  Transmission Box A	<b>R86561</b>  Transmission Box B	<b>R86562</b>  Bumper		
<b>R86563</b>  Servo Mount	<b>R86564</b>  Motor Cover Upper	<b>R86565</b>  Motor Cover Front	<b>R86566</b>  Caster Mount	<b>R86567</b>  Chassis Mount
<b>R86467</b>  ESC Mount	<b>R86468</b>  Receiver Box	<b>R86469</b>  Lock Diff Button	<b>R86470</b>  Differential Box	<b>R86471</b>  Front Driveshaft
<b>R86472</b>  Rear Driveshaft	<b>R86473</b>  Dig Servo Parts	<b>R86474</b>  Link Ends		

Spare Part				
<b>R86475</b>  Shock Absorbers	<b>R86631</b>  Pre-Assembled Interior ornaments	<b>PVC Cockpit+Sticker</b>  R86629-0(Clear) R86629-1(Black)	<b>R86630</b> 	
<b>R86478</b>  PC Body Hood(Clear)	<b>PC Body+Sticker</b>  R86479 (Clear) R86480-1(Black) R86480-2(White) R86480-4(Grey)	<b>Pre-Assembled PC Body</b>  P86480-1(Black) P86480-2(White) P86480-4(Grey)		
<b>R86481</b>  Body Assembled Part	<b>R86482</b>  Lamp-Chimney(Clear)	<b>R86483</b>  Lamp-Socket(Rear)	<b>R86484</b>  Air Grill / Lamp-Socket(Front)	
<b>R86485</b>  Rear Body Plate	<b>R86486</b>  Rear View Mirror	<b>R86487</b>  Hood Switch	<b>R86488</b>  Tank	<b>R86489</b>  Roof Rack
<b>R86490</b>  Chassis Rails	<b>R86491</b>  Panhard Bar Link	<b>R86492</b>  Link 72.5mm	<b>R86493</b>  Link 100mm	
<b>R86497</b>  Front/Rear Lock Diff Line	<b>R86494</b>  Link 108mm	<b>R86495</b>  Link 110.5mm	<b>R86496</b>  Link 113mm	
<b>R86498</b>  Diff Main Gear(40T)	<b>R86499</b>  Drive Gear(16T)	<b>R86500</b>  Diff Bevel Gear Set	<b>R86501</b>  Transmission Gear(9T)	<b>R86502</b>  Transmission Gear(6T)





Spare Part				
<b>R86503</b>  Transmission Gear(20T)	<b>R86504</b>  Transmission Gear(17T)	<b>R86505</b>  Transmission Gear(13T)	<b>R86506</b>  Transmission Slider	<b>R86507</b>  Gear Stick
<b>R86508</b>  Pinion Gear(17T)	<b>R86509</b>  CVD Drive shaft	<b>R86510</b>  Rear shaft	<b>R86511</b>  Driveshaft	<b>R86512</b>  Gear Shaft 1
<b>R86513</b>  Crown Gear (64T)	<b>R86187</b>  Sping	<b>R86514</b>  Slipper Spacer/Plate	<b>R86515</b>  Differential Lock	<b>R86516</b>  Gear Shaft 2
<b>R86517</b>  Gear Shaft 3	<b>R86518</b>  Gear Shaft 4	<b>R86519</b>  Gear Shaft 5	<b>R86520</b>  Ball Bearing φ15*φ21*4	<b>R86521</b>  Ball Bearing φ12*φ18*4
<b>R86522</b>  Ball Bearing φ10*φ15*4	<b>R86523</b>  Ball Bearing φ7*φ14*4	<b>R86524</b>  Ball Bearing φ7*φ11*3	<b>R86525</b>  Ball Bearing φ5*φ11*4	<b>R86526</b>  Ball Bearing φ4*φ8*3
<b>R86045</b>  King Pin Bushing	<b>R86527</b>  Ball Stand φ4mm	<b>R86048</b>  Ball Stand φ5.9mm	<b>R86052</b>  Flange M4 Lock Nut	<b>R86528</b>  Nylon Nut M2.5
<b>R86379</b>  Button Head 2*4mm	<b>R86058</b>  Button Head 3*6mm	<b>R86059</b>  Button Head 3*8mm	<b>R86060</b>  Button Head 3*10mm	<b>R86061</b>  Button Head 3*12mm


Spare Part				
<b>R86062</b>  Button Head 3*14mm	<b>R86065</b>  Button Head 3*20mm	<b>R86066</b>  Button Head 3*25mm	<b>R86529</b>  Button Head Self-tapping 2*6mm	<b>R86530</b>  Step Screws 4*11.5mm
<b>R86071</b>  Cap Head 2.5*8mm	<b>R86531</b>  Cap Head Self-tapping 2*8mm	<b>R86532</b>  Flat Head 3*6mm	<b>R86072</b>  Flat Head 2.5*10mm	<b>R86163</b>  Flat Head 3*10mm
<b>R86533</b>  Crub Screw Bolt 3*18mm	<b>R86568</b>  Shock Shaft	<b>R86534</b>  O Ring 2.8*1.9mm*8P O Ring 2.8*2.0mm*8P O Ring 10*1mm*4P	<b>R86535</b>  E-Clips - φ 2.5mm*6P E-Clips - φ 4mm*6P	<b>R86536</b>  Pin -2*10mm*6P Pin -2*11mm*6P Pin -2*12mm*6P
<b>R86537</b>  Metal Washer φ2.6*φ6*0.5	<b>R86569</b>  Wheel Hex	<b>R86539</b>  Dig Servo 9G /7.4V	<b>R86540</b>  Steering Servo 25KG	<b>R86541</b>  Servo Horn(25T)
<b>R86771</b>  Motor-550/8020	<b>R86024</b>  Radio/Receiver X6DC	<b>R86338</b>  Rexiever	<b>R86772</b>  Linght	<b>R86769</b>  Magnetic Adapter Cable
<b>R86439</b>  Body Clip Mount	<b>R86466</b>  Linght Clip 2*6	<b>R86476</b>  ESC -60A	<b>R86457</b>  Flange Head Screws 3*8	<b>R86477</b>  Rear Fender
<b>R86439</b>  Wheel Rim(Gun Gray)	<b>R86466</b>  Tire W/Foam	<b>R86476</b>  Wheel Complete L/R (Gun Gray)	<b>R86773</b>  Wheel Rim(Black)	<b>R86774</b>  Wheel Complete L/R(Black)



**Spare Part**

<p><b>R86633</b></p>  <p>Front Rear Pre-Assembled Housing</p>	<p><b>R86808</b></p>  <p>Body Decal Stickers</p>
---	--

**Upgradable Optionals**

<p><b>R86366</b></p>  <p>3*6 3*8 3*8</p>	<p><b>R86544</b></p>  <p>PVC Rain Shield</p>	<p><b>P860079</b></p>  <p>54MM Adjustable LED Lamp</p>		
<p><b>P860077</b></p>  <p>145MM Adjustable LED Lamp</p>	<p><b>P860065</b></p>  <p>Wheel (AL.)</p>	<p><b>P860066</b></p>  <p>Wheel (AL.)</p>	<p><b>P860094</b></p>  <p>Copper Wheel Weight Set 128g</p>	
<p><b>P860086</b> (AL.)</p>  <p>Steering HubCarriers</p>	<p><b>P860087</b> (COPPER)</p>  <p>Transmission Housing Lid</p>	<p><b>P860088</b> (AL.)</p>  <p>Shock Plate(L/R)</p>	<p><b>P860089</b> (AL.)</p>  <p>Chassis Mount</p>	<p><b>P860090</b> (AL.)</p>  <p>Differential Box</p>
<p><b>P860091</b> (COPPER)</p>  <p>Front Gear Box Lid</p>	<p><b>P860092</b> (COPPER)</p>  <p>Rear Gear Box Lid</p>	<p><b>P860093</b> (AL.)</p>  <p>Motor Mount</p>	<p><b>R86570</b></p>  <p>Wheel Rim</p>	<p><b>R86571</b></p>  <p>Crawler Battery (7.4V6200mAh/Plug:T)</p>
<p><b>R86601</b></p>  <p>Antenna Pole</p>	<p><b>R86612</b></p>  <p>Drive Axle</p>	<p><b>R86770</b></p>  <p>9g/7.4v servo with metal gear</p>	<p><b>P860102</b></p>  <p>Hood Switch</p>	



**PRODUCT QUALIFICATION CERTIFICATION**

The product has conducted IQC (Input Quality Control) and full inspection before delivery. The manufacturer is responsible for quality assurance. Remote Control model is assembled manually, and then there may have some defects in the production process. Once the product is modified or incorrect operation, it cannot apply for replacement and return services, for the parts and accessories may be damaged. Please contact the retail seller for after-sales service when needed. The product conforms to technical requirements of export safety regulations.

Factory Address: Huang Jiang Town, Dong Guan City, Guang Dong Province, China  
Website: www. RGT-RACING. Com

Production Date: refer to packing instruction