

欢迎使用本公司 V5 竞技版系列产品。此产品采用高品质材料生产，设计新颖，操作有趣。仔细阅读说明将有助于您更加容易的操控此产品。我们愿与您分享操控的乐趣与刺激。

Welcome to use ROFUN V5 competitive series Truck with high quality and fresh design, which would bring you much fun of operating this product. Please read manual carefully to help you to control it more easily. We would love to share excitement together when running this vehicle.



不按照此说明操作有可能会损害整车或零配件，甚至导致人身伤害。  
If you don't follow the manual to run the vehicle, which may cause the probability of truck damage, collateral spare parts damage and even serious bodily injury.



不按照此说明操作有可能伤害到自己或他人。  
Failure to follow this instruction may cause the hurt to yourself and others .



## Caution

为了防止造成人身伤害或财产损失，操控此车时请特别注意。此车采用可燃性混合汽油燃料，最高速度可达70km/h。

- To prevent any serious personal injury and/or damage to property, please be responsible when operating this vehicle. This vehicle use inflammable mixed gasoline. Max running speed of this vehicle would reach 70km/h.
- 14岁以下儿童、禁止玩耍。  
Children are forbidden to play under 14 years old.

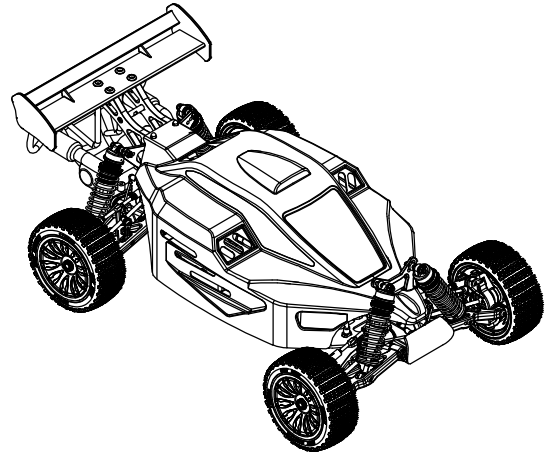
## 发动机安全操作指南 Engine Guidelines for safe handling



- 请加入汽油与两冲程机油混合燃料。  
Please use a mixture of gasoline and 2stroke oil for fuel.
- 请勿在有火苗和烟区操控此车或加油。  
Never operate your vehicle near open flames. Never smoke while operating your vehicle or while handling fuel.
- 加油时保持水平位置，远离火苗、火源、高温等地方。  
When fueling the vehicle, please be sure to make this vehicle be in a well horizontal site, and away from flame and high temperature area.
- 此发动机仅用汽油与两冲程机油混合作为燃料，其它燃料均不可使用。  
Only use a mixture of gasoline and twocycle oil for fuel in this vehicle engine. Do not use other fuel.
- 汽油易然有毒，请注意安全。  
Please be safe because gasoline is inflammable and poisonous.
- 操控过程中有些部件温度很高，在未冷却之前请勿触摸。  
Do not touch the engine and muffler as they can become extremely hot during use.
- 使用完毕后将油箱的剩余燃料清理掉。  
Please clean the fuel tank after running this vehicle.
- 操控时远离儿童。  
Please be away from children when running this vehicle.

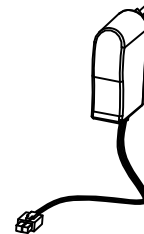
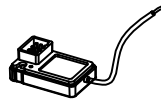
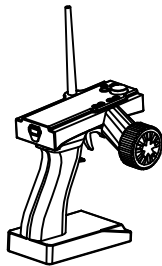
# 装箱清单 Packing List

- RC整车 RC assembled car
- 遥控/接收机 Transmitter/Receiver
- 接收机电池 Receiver battery
- 工具/说明书 Tool/Instruction
- 充电器 Charger



公司可能会对箱内配件做其它的调整, 不再另行通知, 一切以收到的实物为准。

ROFUN might do some changes on accessories, which would not be informed. Please just subject to all what you get.



遥控设备或其它配件会出现更新与图片不符, 恕不另行通知, 解释权归公司所有。

Transmitter equipment or other spare parts might be updated in future, which maybe not same as current picture. We won't make extra informing. ROFUN own the reserved explanation right for all instructions and terms.

## 配备工具 Fitted Tools

六角扳手

Allen wrench

十字套筒

Cross Wrench

火花塞套筒

Spark plug wrench

金属六角扳手

Metal Hexagon key

塑料六角扳手

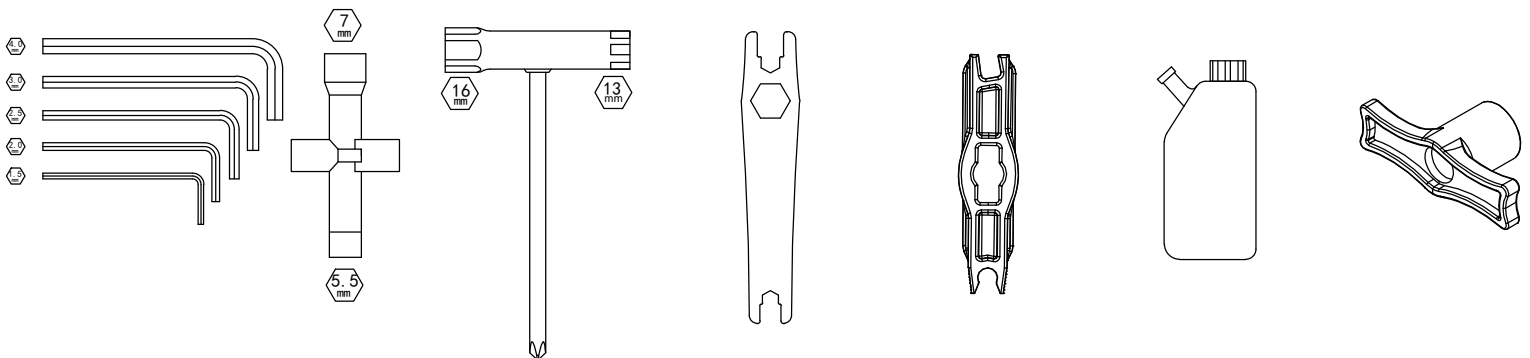
Plastic Hexagon key

燃油配比壶

Mixed fuel ratio can

轮毂扳手

Wheel Wrench



## 自备工具 Self-prepared Tools

一字螺丝刀

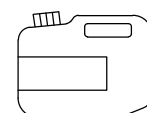
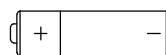
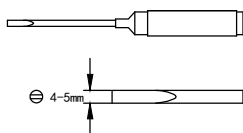
Screwdriver

AA电池

AA Battery

燃油壶

Gasoline





电池完全性充放电，  
可延长电池的寿命。

Battery useful life can be extended longer  
if charging or releasing power of battery  
is enough .

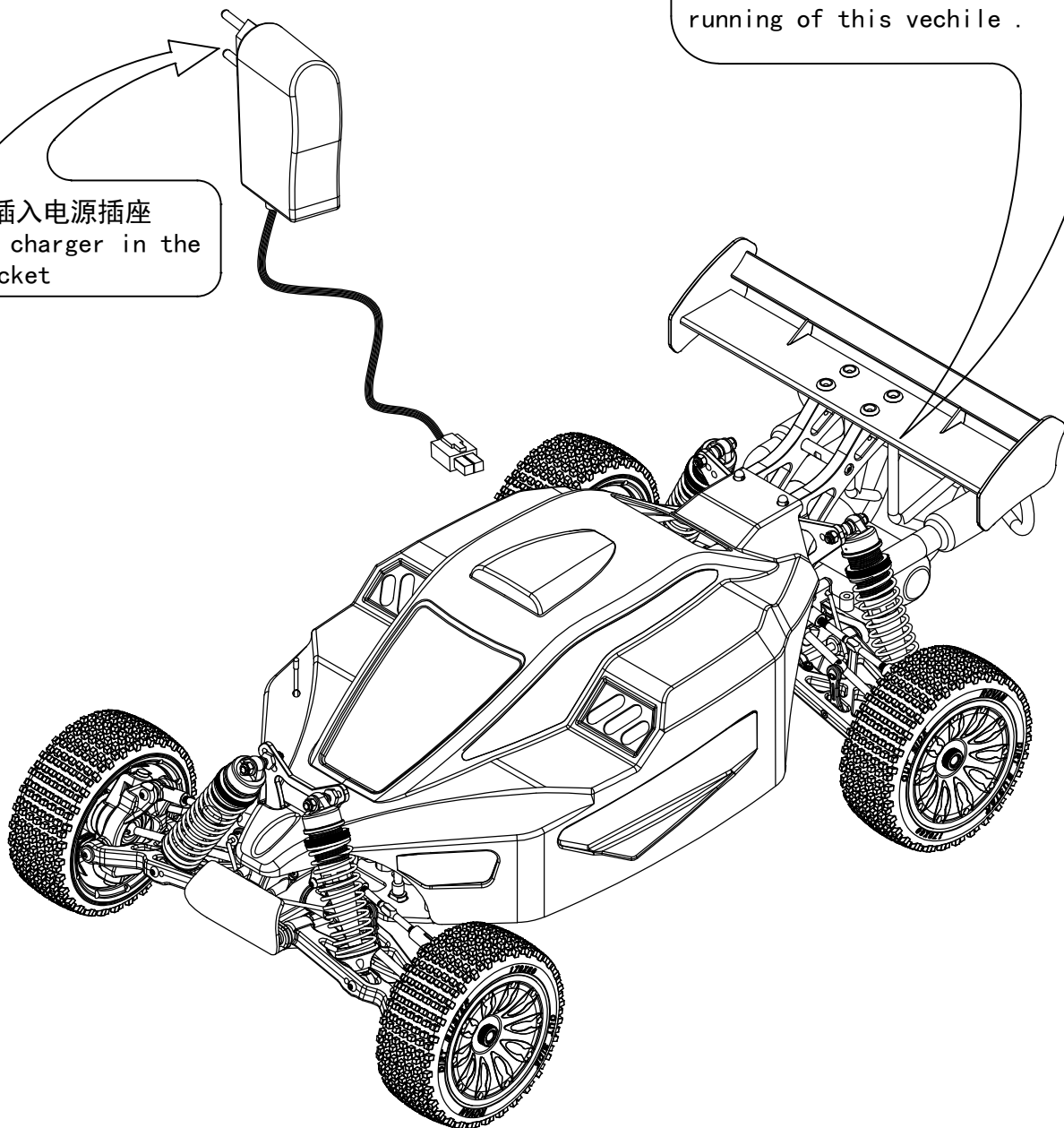


*Caution*

车子运转过程中，发动机和排气管温  
度很高，在未冷却之前请勿触摸。

Please don't touch engine or exhaust  
pipe before they are cold, because  
they will be extremely hot during  
running of this vechile .

充电器插入电源插座  
Plug the charger in the  
power socket



- 请勿使用其它充电器 Don't use other charger
- 充电时间约为6小时 Charging time need about 6 hours
- 此充电器勿给其它电池充电 Don't allow to use this charger to charge other battery
- 电池远离儿童及水源 Battery should be far away from Children and water

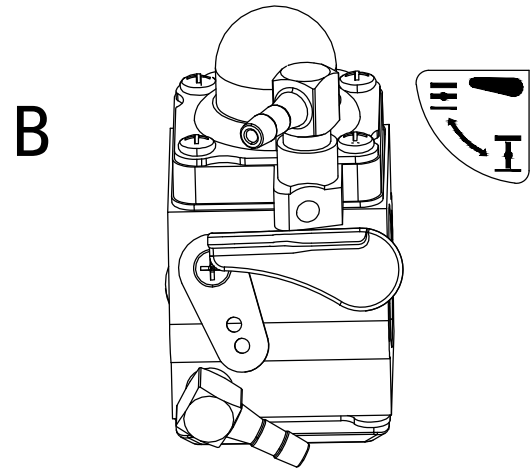
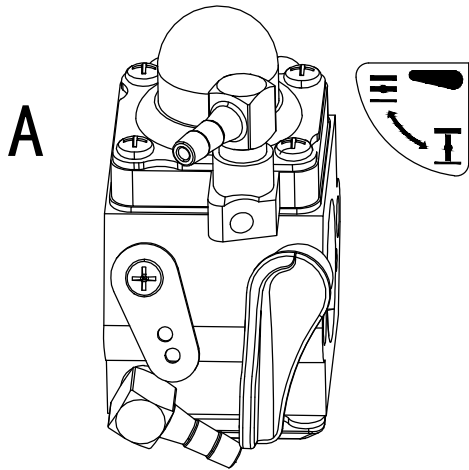
# 车辆启动 Vehicle Starting And Running

启动顺序      发射机      ⇨ 接收机      ⇨ 发动机  
Startup sequence      Transmitter power      ⇨ Receiver power      ⇨ Engine

## 启动发动机 Priming The Engine

发动机必须吸入燃油才可以成功启动。按压吸油气囊，直到你可以看到燃料从回油管返回到油箱内。  
The engine must be primed before it can be successfully started. Push the primer bulb until you can see fuel in the yellow return tube.

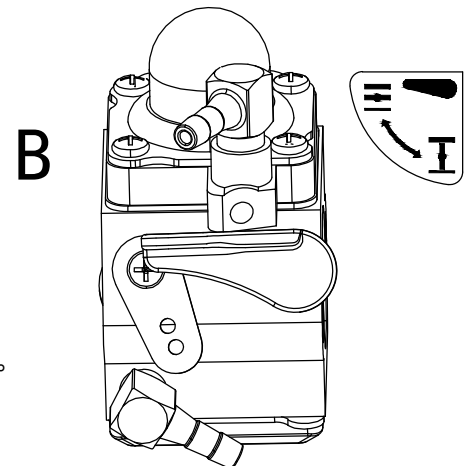
## 启动程序：冷启动 Starting Procedure: Cold Engine



1. 设置阻风阀手柄，如步骤A所示。  
Set choke lever as shown in Step A
2. 连续拉动启动器拉线（约3次），直到你听到发动机几乎启动，然后停止。  
Pull start cord in a quick continuous motion (about 3 times) until you hear the engine almost start, then stop.
3. 小心不要让燃料涌入发动机。不拉超过50cm/20英寸，否则会破坏拉动启动装配。  
Be careful not to flood the engine with fuel. Do not pull more than 50 cm/20 inch. or you can damage the pull start assembly.
4. 设置阻风阀手柄，如步骤B所示。  
Set the choke lever as shown in Step B.
5. 拉动手拉启动器，启动发动机。  
Pull the starter cord start the engine.
6. 发动机应该在6次拉动内启动。  
The engine should start within 6 pulls.

## 启动程序：热启动 Starting Procedure: Hot Engine

1. 设置阻风阀手柄，如步骤B所示。  
Set the choke lever as shown in Step B.
2. 连续快速拉动发动机启动器拉线。发动机应该在6次拉动内启动。  
Pull the starter cord in a quick continuous motion to start the engine. The engine should start within 6 pulls.



# 发动机磨合 Engine running-in

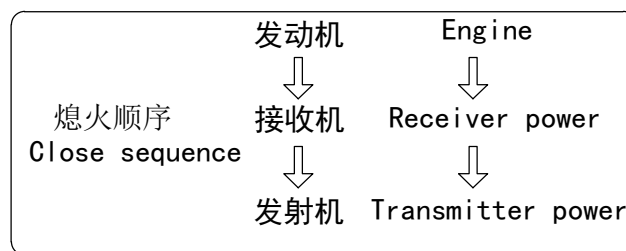
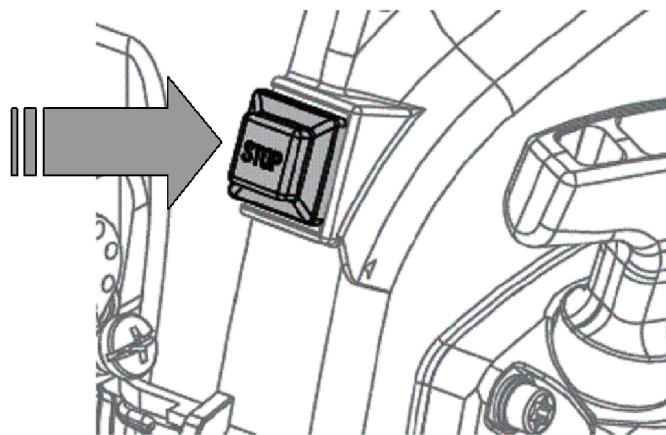
通过在地面慢速小油门行驶（约一箱的燃料）来磨合发动机。

Please run this vehicle slowly on the ground (about a tank of fuel) to make engine running-in.



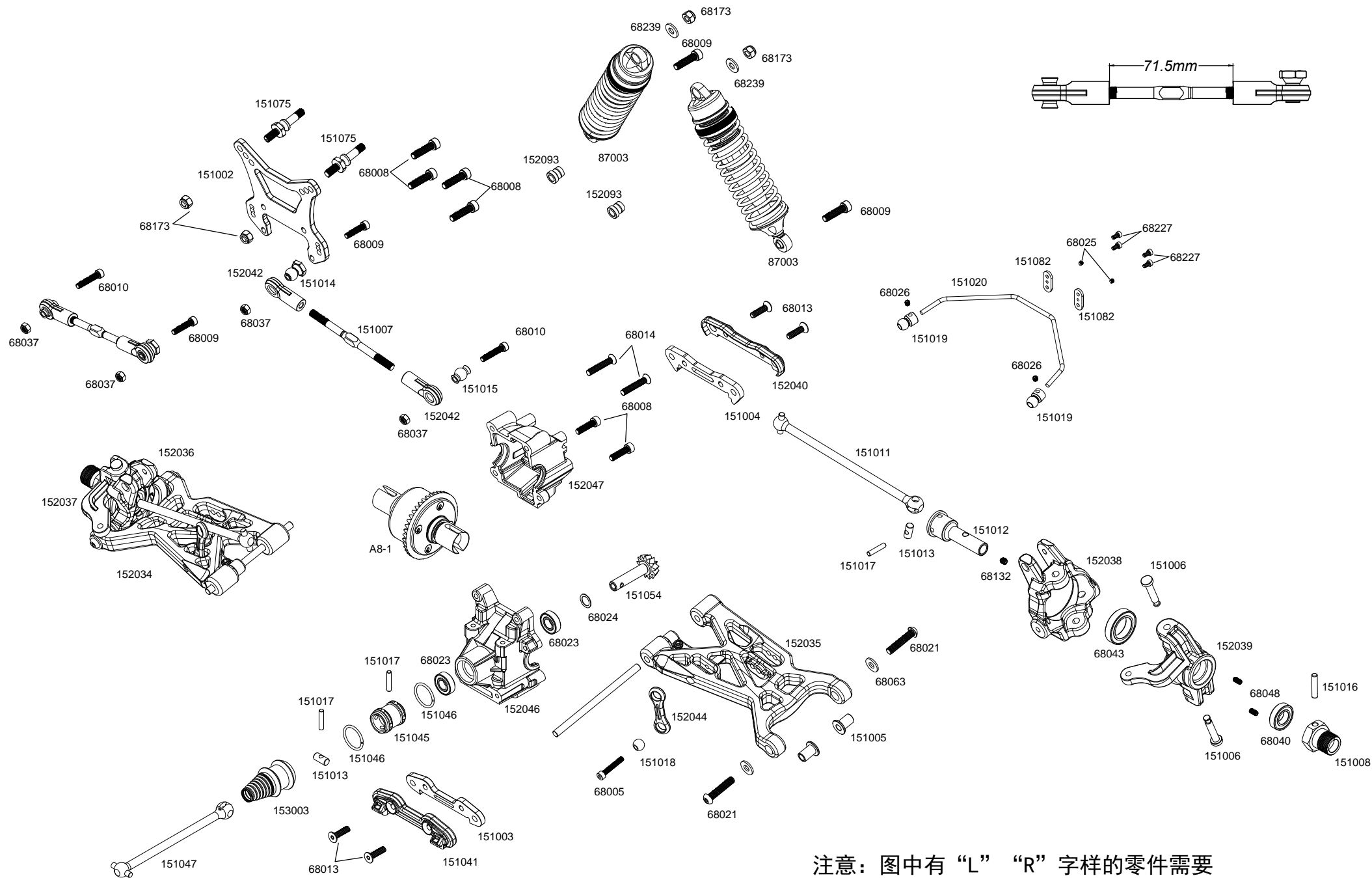
- 不要在磨缸的时候调整化油器设定。这样做将导致发动机损坏。  
Don't adjust the setup of original carburetor, otherwise will damage the engine.
- 请勿触摸发动机和消声器，因为他们在使用过程中会变得非常热。  
Please don't touch engine and muffler, because they will become very hot during the running.
- 切勿停止发动机之前关闭发射器或接收器的电源。您将失去对您车辆的控制。  
Please don't close transmitter and receiver power before stopping engine, otherwise you will lose control of vehicle.

按下熄火开关来关闭发动机  
Push this fire-off switch  
to stop engine



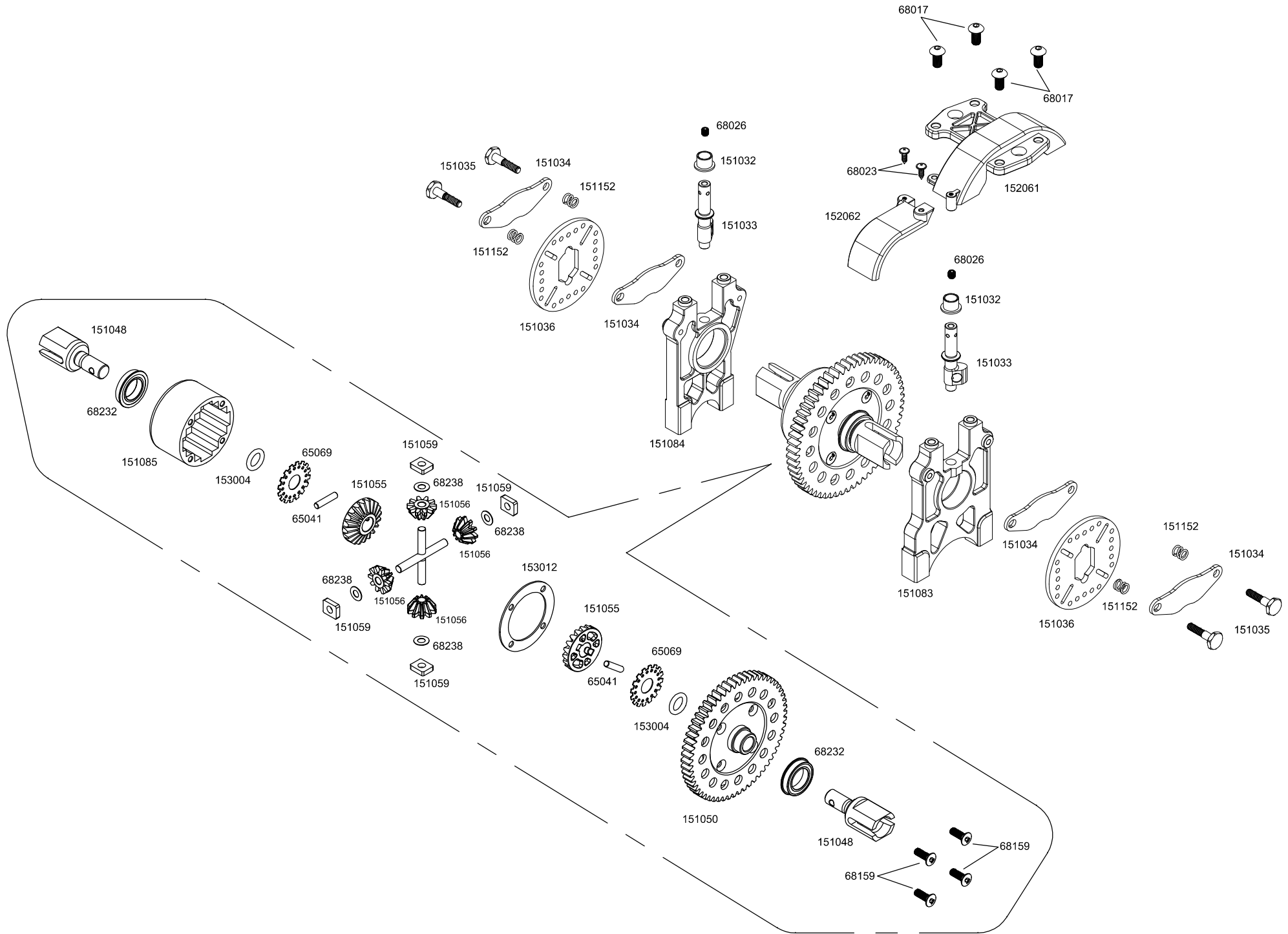
## 发动机保养小常识 Engine Maintenance

- 要经常清洗发动机空滤海绵，并且在每次清洗完后，自然风干，并抹上适量的空滤油。  
The air filter foam need to be cleaned very often. After finishing cleaning, please just let it dry naturally and re-oiled properly.
- 火花塞要定期的拆下来清洗，将电极上的积碳清理干净。  
Spark plug also need to be cleaned regularly, and clean all carbon deposit on the electrode.
- 如果长时间不玩车，请将油箱内的燃油倒干净，点燃发动机，让其自动熄火。  
please empty the gasoline in the fuel tank, light the engine and make it shut down automatically if you don't run the vehicle for a very long time.

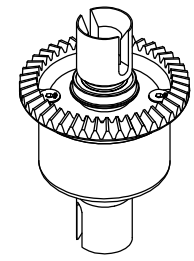
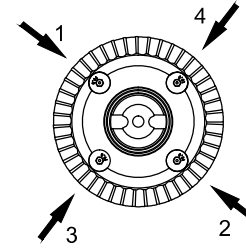


注意：图中有“L”“R”字样的零件需要区分左右，“L”表示左“R”表示右。

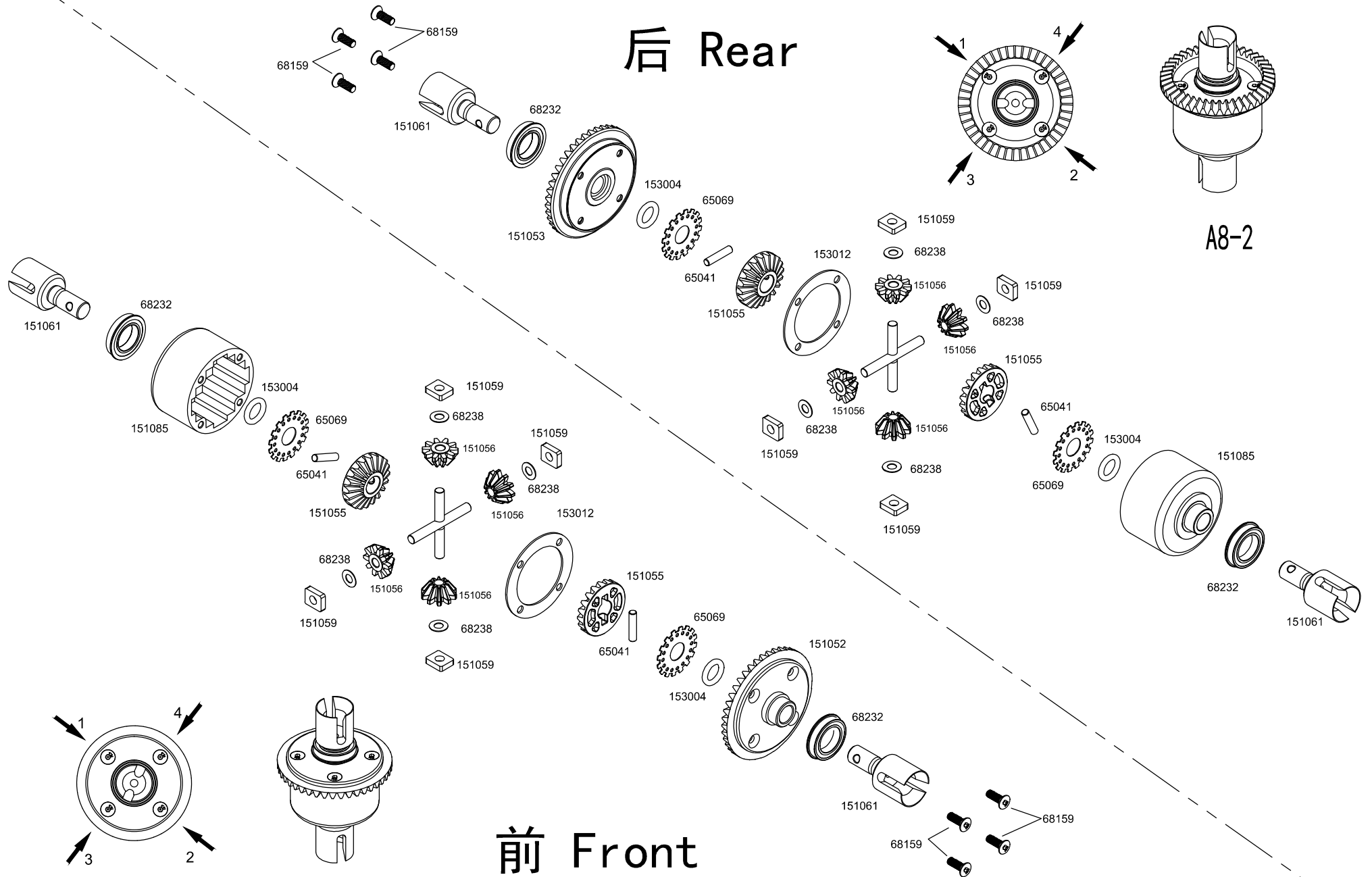
Pls note the parts with L/R need to discriminate Left from Right. L means Left, R means Right.



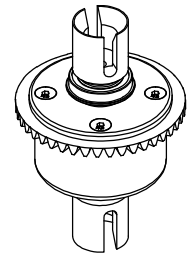
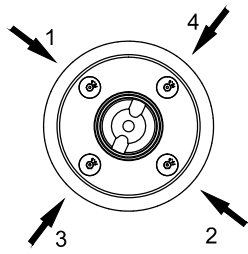
# 后 Rear



A8-2

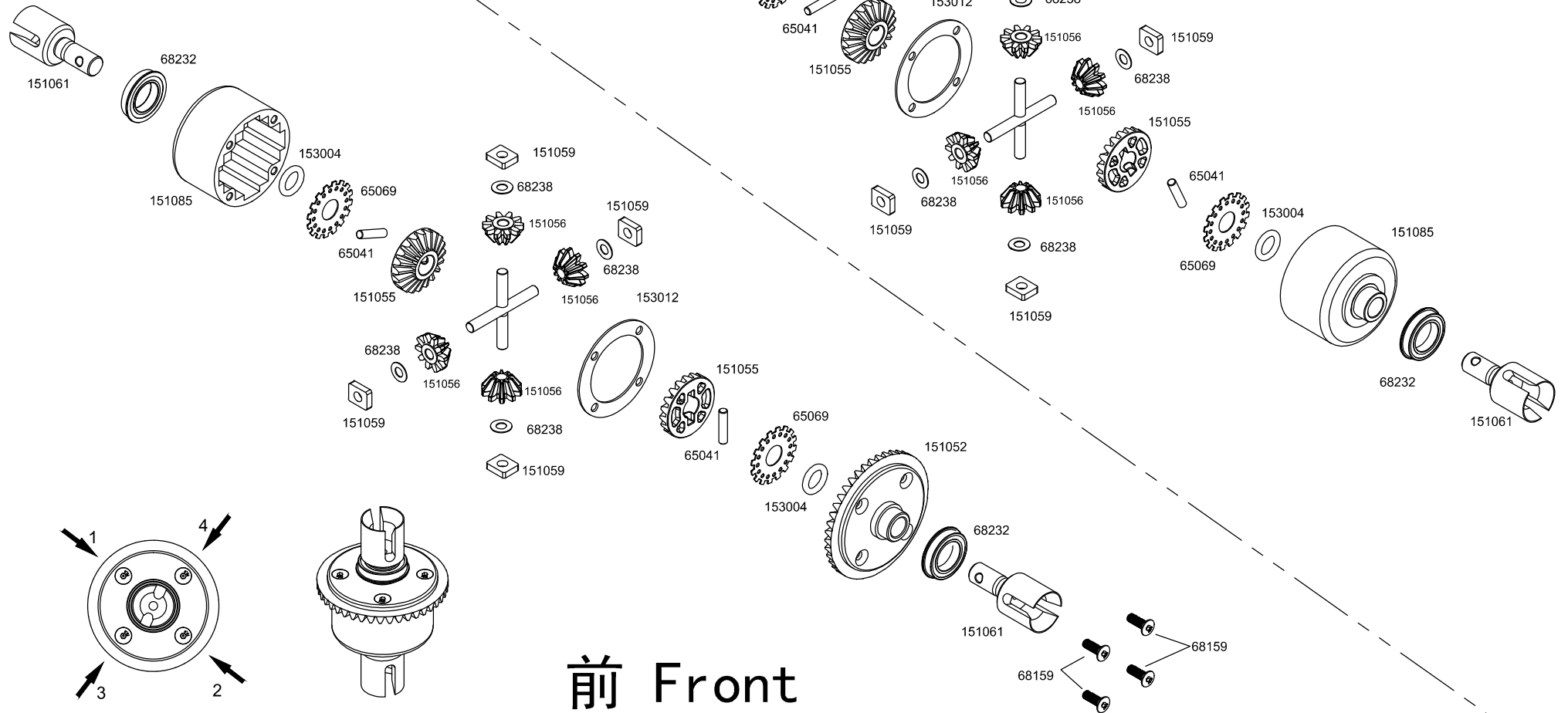


# 前 Front

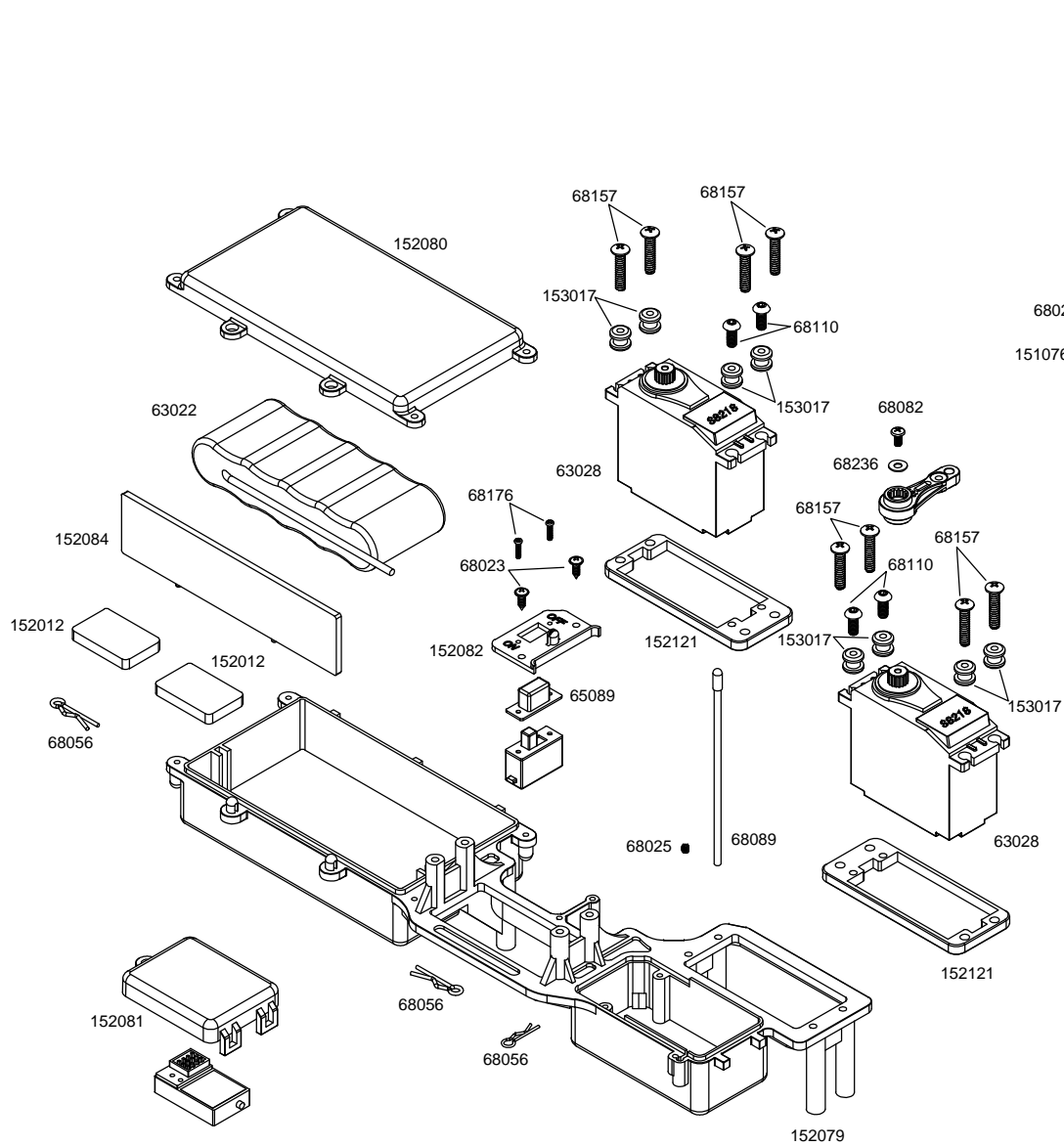


A8-1

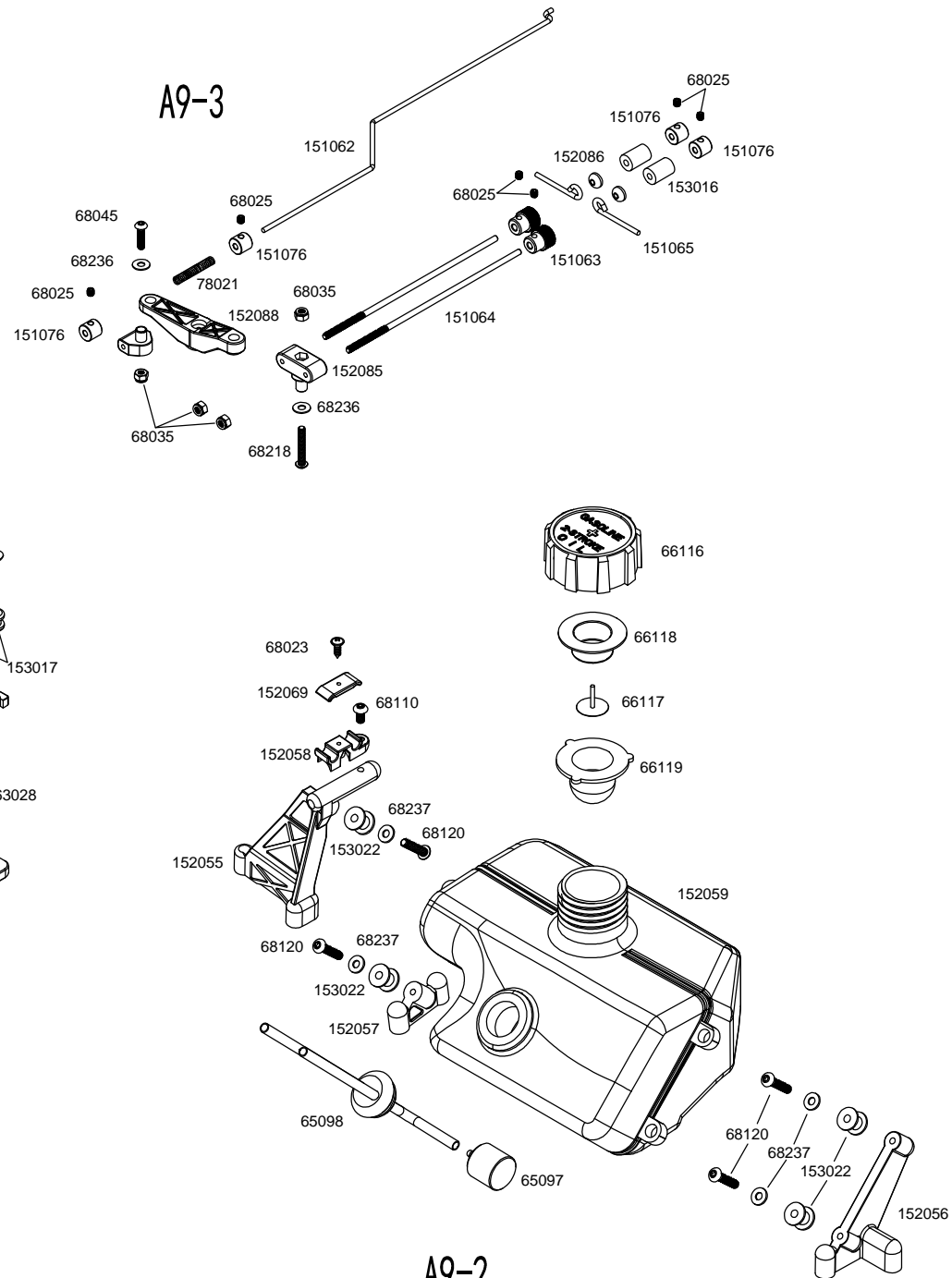
# 前 Front



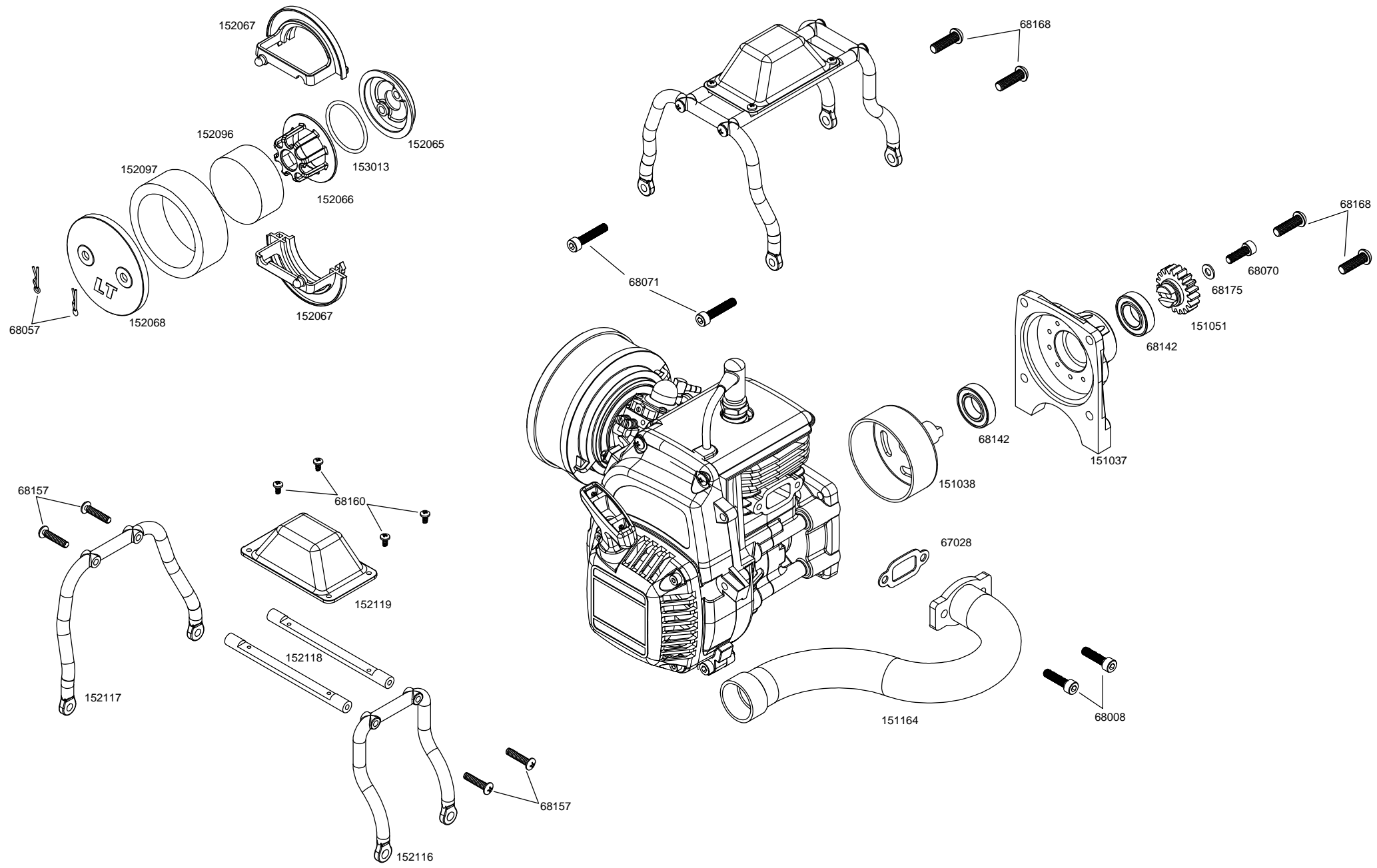


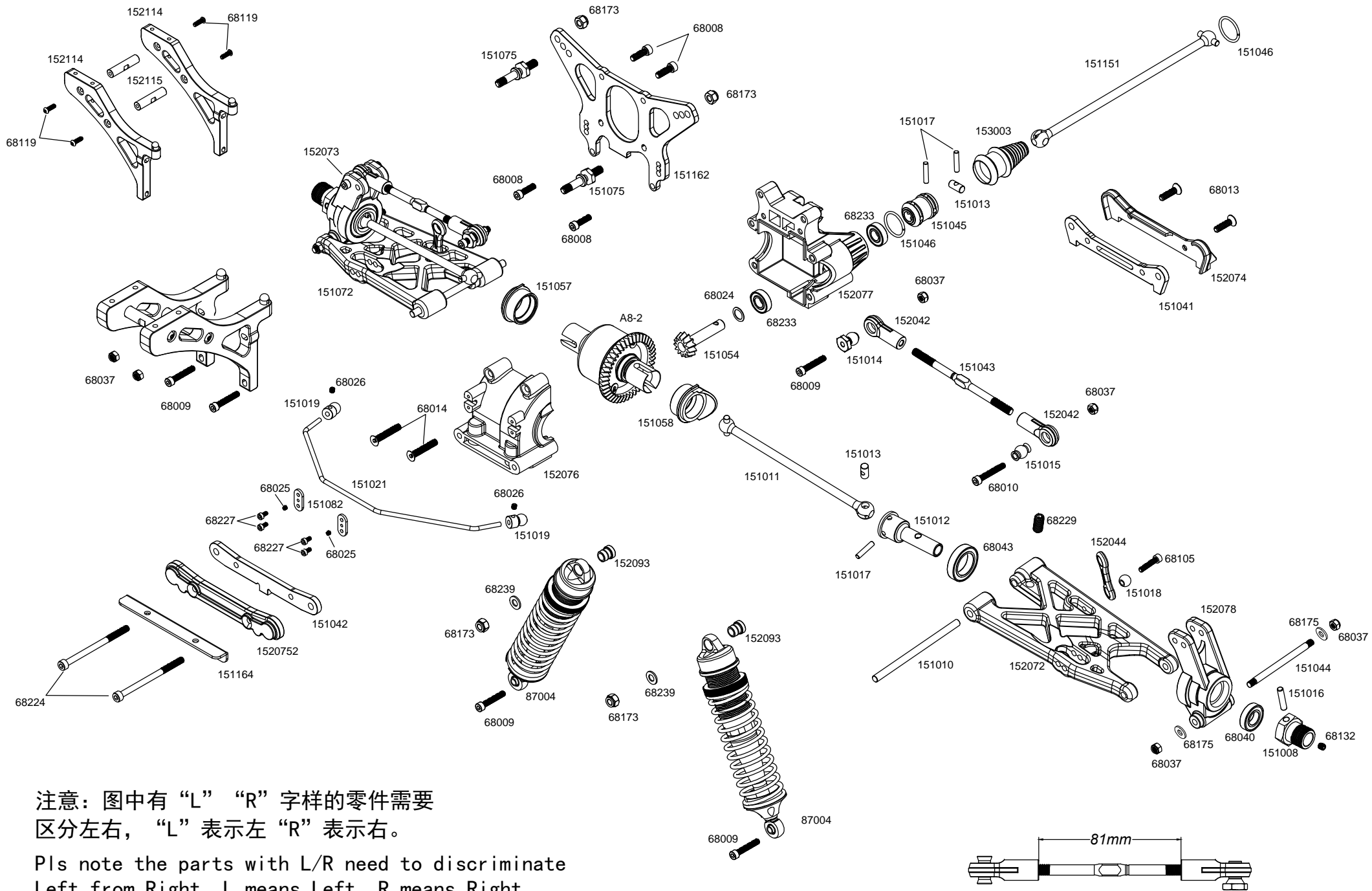


A9-1



A9-2

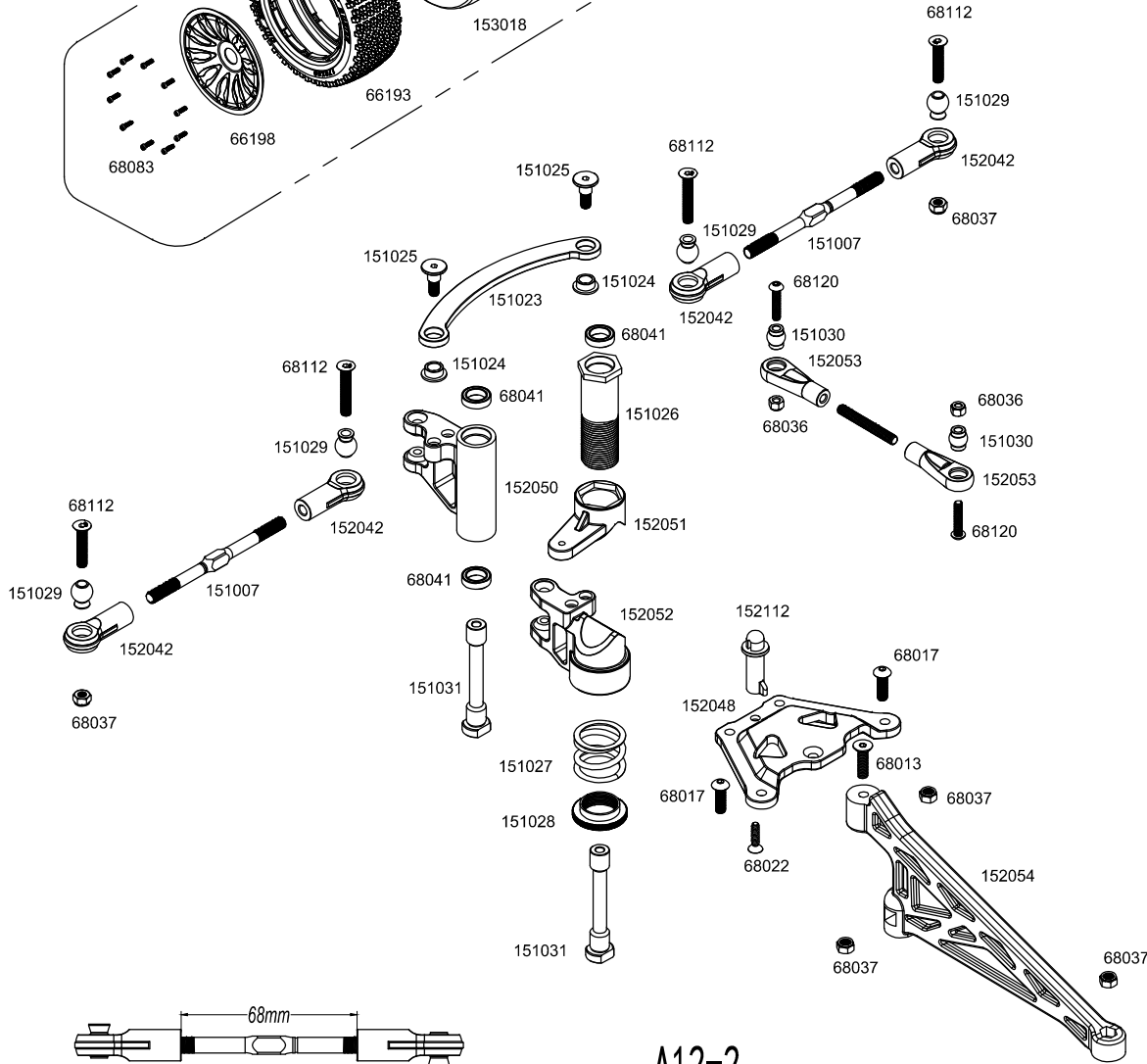
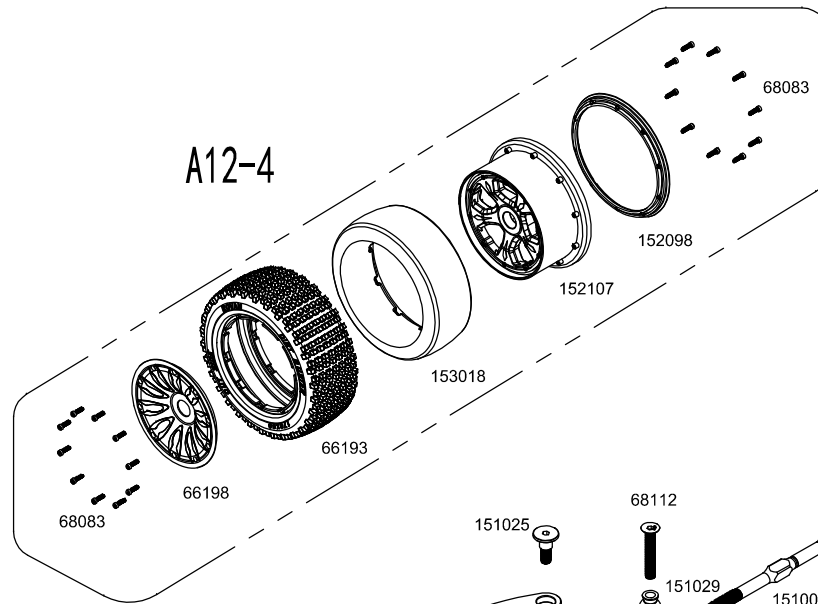




注意：图中有“L”“R”字样的零件需要区分左右，“L”表示左“R”表示右。

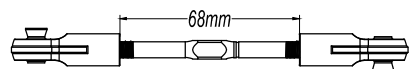
Pls note the parts with L/R need to discriminate Left from Right. L means Left, R means Right.

- 151068
- 153006
- 68220
- 68236
- 152090
- 151071
- 151066
- 153009
- 153010
- 152095
- 153010
- 152089
- 152103
- 151069
- 153008
- 151073
- 152092
- 151080



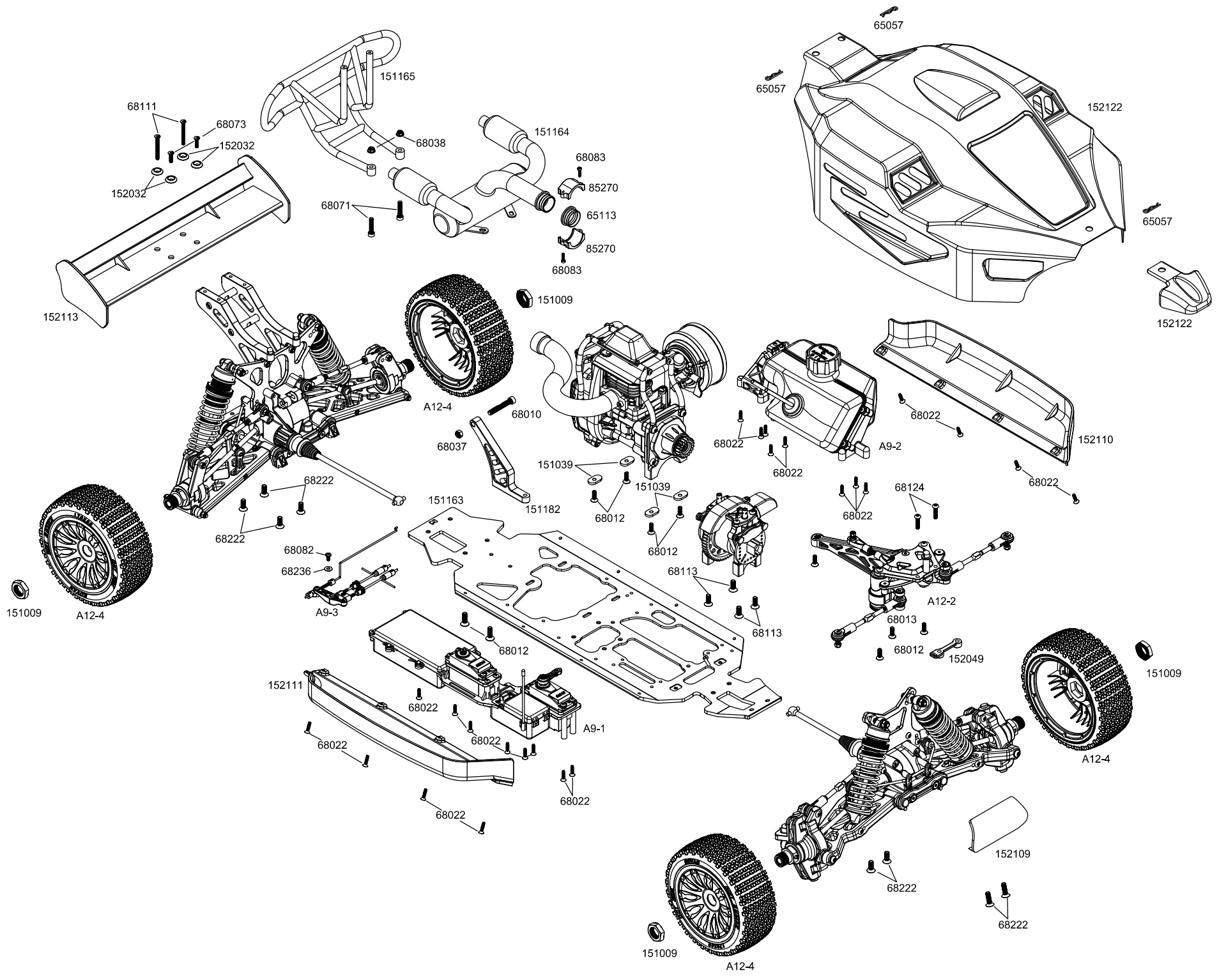
- 151068
- 153006
- 68220
- 68236
- 152090
- 151072
- 151067
- 153009
- 153010
- 152095
- 153010
- 152089
- 152103
- 151069
- 153008
- 153011
- 151074
- 152092
- 151080

87003



A12-2

87004



# Optional

<p>87048 CNC 前下悬挂 2P Front Lower Suspension Arm 2P ( AL.)</p> 	<p>87049 CNC 后下悬挂 2P Rear Lower Suspension Arm 2P ( AL.)</p> 	<p>87051 CNC 金属臂码 (前/后) Susp.Arm short holder(F/R)(AL.)</p> 	<p>87052 CNC 金属前转向杯套件 (左/右) Caster Mount ( L/R ) ( AL.) Steering Mount( L/R )( AL.)</p> 	<p>87053 CNC 金属臂码 (左/右) Rear Hub Carrier ( L/R )( AL.)</p> 
<p>87057 CNC 金属转向组 Servo Saver Steering ( AL.)</p> 	<p>87062 CNC 金属空滤器 Air Filter ( AL.)</p> 	<p>87072 CNC 金属拉杆 全车份 6P Suspension Arm 6P ( AL.)</p> 	<p>87093 CNC 全封闭式中差壳 Center Diff.Mount ( AL.)</p> 	<p>97027 CNC 金属三角架 Gear Mount ( AL.)</p> 
<p>97030 CNC 金属中差齿轮盖板 Center Diff.Tray ( AL.)</p> 	<p>97031 CNC 转向拉杆 Steering Pull Rod 2P ( AL.)</p> 	<p>97032 CNC 前上悬挂 Front Upper Suspension Arm 2P ( AL.)</p> 	<p>97033 CNC 后上悬挂 2P Rear Upper Suspension Arm 2P ( AL.)</p> 	<p>97035 CNC 封闭式轮胎螺母 Wheel Nuts ( AL.)</p> 
<p>97036 CNC 金属油箱盖 Fuel Tank Cover ( AL.)</p> 	<p>87095 公路胎皮 左/右 On road Tires ( L/R )</p> 	<p>97042 荒地胎皮 带夹布 2P M/T Tread 2P ( POLYESTER )</p> 	<p>153019 碎石胎皮 2P Tire ( Gravel Tread ) 2P</p> 	<p>87087 CNC 金属轮毂 2套 CNC Wheels Hub 2SET ( AL.)</p> 
<p>97020 全地形胎 尼龙轮毂 (左/右) All Terrain Tire ( L/R ) ( PA )</p> 	<p>97045 荒地胎 带夹布 CNC 金属轮毂 2P M/T Tread 2P ( Polyester ) ( AL.)</p> 	<p>970492 光面胎 2P Slick Tire ( Smooth Tread ) 2P</p> 	<p>97211 全地形胎 金属轮毂 (左/右) All Terrain Tire ( L/R ) ( AL.)</p> 	<p>97212 碎石胎 金属轮毂 2P Gravel Tire 2P ( AL.)</p> 
<p>970171 尼龙轮毂 LOSI 款 2P LT Nylon Wheels Hub 2P ( PA )</p> 	<p>970172 尼龙轮毂 2P Wheels Hub 2P ( PA )</p> 	<p>151129 CNC 金属前上顶板 Front Upper Top Plate ( AL.)</p> 	<p>87274 CNC 手拉器 易启动 (32CC) Engine Easy Starter ( 32CC ) ( AL.)</p> 	<p>87275 CNC 手拉器 易启动 Engine Easy Starter ( AL.)</p> 

# 零件清单 *Parts List*

Nummer	Qty	Descripton	Nummer	Qty	Descripton
68004	2	内六角圆柱头螺钉 Hex. Column head screw M4×16	68230	4	内六角凹端紧定螺钉 Hex. convex head screw M4x8
68005	2	内六角圆柱头螺钉 Hex. Column head screw M4×25	68232	6	深沟球轴承 Trench ball bearing F6802
68008	12	内六角圆柱头螺钉 Hex. Column head screw M5x20	68234	4	深沟球轴承 Trench ball bearing 699-2z
68009	10	内六角圆柱头螺钉 Hex. Column head screw M5×30	68236	7	平垫 Washer $\phi 3 \times \phi 8 \times 0.5$
68010	5	内六角圆柱头螺钉 Hex. Column head screw M5×35	68237	4	平垫 Washer $\phi 4 \times \phi 9 \times 1$
68012	9	内六角沉头螺钉 Hex. socket head cap screw M5×16	68238	12	平垫 Washer $\phi 5 \times \phi 10 \times 0.4$
68013	8	内六角沉头螺钉 Hex. socket head cap screw M5×20	68239	8	平垫 Washer $\phi 6 \times \phi 12 \times 1.2$
68014	6	内六角沉头螺钉 Hex. socket head cap screw M5x30	68240	2	平垫 Washer $\phi 9 \times \phi 13 \times 0.5$
68017	6	内六角平圆头螺钉 Hex. flat head screw M5×12	65069	6	平垫 Washer $\phi 10 \times \phi 29.5 \times 0.5$
68021	4	内六角平圆头螺钉 Hex. flat head screw M6×30			
68022	25	内六角沉头自攻螺丝钉 Hex. socket head cap screw ST4x16	151002	1	前减震支架 Front shock tower 5mm
68023	5	十字法兰螺丝钉 TP.Binder head screw ST3×10	151003	1	前下码臂1 Front arm brace 1 5mm
68025	11	内六角凹端紧定螺钉 Hex. convex head screw M3x3	151004	1	前下码臂2 Front arm brace 2 5mm
68026	6	内六角凹端紧定螺钉 Hex. convex head screw M4x4	151005	4	前下悬挂隔套 Front lower deck spacer
68035	4	防松螺母 Lock NUT M3	151006	4	前轮轴承座固定销 Front Steering shaft $\phi 6 \times \phi 10 \times 34 \text{mm}$
68036	2	防松螺母 Lock NUT M4	151007	4	连接丝杆 Turnbuckle $\phi 6 \times 9 \text{mm}$
68037	19	防松螺母 Lock NUT M5	151008	4	驱动轴套 Wheel Mount M18x1.5
68038	2	法兰防松螺母 Lock NUT M5	11009	4	轮胎螺母 Wheel Nut M18x1.5
68040	4	深沟球轴承 Trench ball bearing 6901-2RS	151010	4	下悬挂轴 Lower Sus. arm shaft $\phi 6 \times 105.5 \text{mm}$
68041	4	深沟球轴承 Trench ball bearing 6700	151011	4	半轴 Dogbones $\phi 7 \times 163.5 \text{mm}$
68043	4	深沟球轴承 Trench ball bearing 6804-2RS	151012	4	CVD驱动轴 CVD drive shaft
68045	1	内六角平圆头螺钉 Hex. flat head screw M3×16	151013	6	CVD活动柱 CVD axis $\phi 6.5 \times 13.2 \text{mm}$
68056	3	小开口销 Body pin $\phi 1.0 \text{mm}$	151014	4	悬挂球头1 Sus. arm Ball S $\phi 11 \times \phi 5 \times 16.6 \text{mm}$
68057	5	大开口销 Body pin $\phi 1.6 \text{mm}$	151015	4	悬挂球头2 Sus. arm Ball S $\phi 11 \times \phi 5 \times 16 \text{mm}$
68070	1	内六角圆柱头螺钉 Hex. Column head screw M5x16	151016	4	圆柱销 PIN $\phi 5 \times 23.5 \text{mm}$
68071	4	内六角圆柱头螺钉 Hex. Column head screw M5x25	151017	6	圆柱销 PIN $\phi 4 \times 20 \text{mm}$
68073	2	内六角沉头螺钉 Hex. socket head cap screw M4x16	151018	4	平衡杆球头1 Balance bar ball S $\phi 10 \times \phi 4 \times 8 \text{mm}$
68082	2	十字槽盘头螺钉 TP.Binder head screw M3x6	151019	4	平衡杆球头2 Balance bar ball S $\phi 10 \times \phi 5 \times 16.5 \text{mm}$
68083	82	内六角圆柱头螺钉 Hex. Column head screw M3x12	151020	1	前平衡杆 Front Balance bar $\phi 3.5 \text{mm}$
68105	2	内六角圆柱头螺钉 Hex. Column head screw M4×20	151021	1	后平衡杆 Rear Balance bar $\phi 3.5 \text{mm}$
68110	5	内六角平圆头螺钉 Hex. flat head screw M4×10	151023	1	转向器连接片 Steering connecting piece 4mm
68111	2	内六角沉头螺钉 Hex. socket head cap screw M4x40	151024	2	转向器隔套 Steering sleeve
68112	2	内六角沉头螺钉 Hex. socket head cap screw M5x25	151025	2	转向器固定螺丝 Steering fixed screw
68113	4	内六角沉头螺钉 Hex. socket head cap screw M6×16	151026	1	右转向器轴承柱 Steering post $\phi 19 \times 59.2 \text{mm}$
68119	4	内六角平圆头螺钉 Hex. flat head screw M4×14	151027	1	转向器缓冲弹簧 Buffer spring
68120	6	内六角平圆头螺钉 Hex. flat head screw M4×20	151028	1	右转向器轴承柱螺母 Steering post nut
68132	4	内六角凹端紧定螺钉 Hex. convex head screw M5x5	151029	4	转向拉杆球头 Steering link Ball S $\phi 11$
68142	5	深沟球轴承 Trench ball bearing 6902	151030	2	伺服拉杆球头 Servo rod ball S $\phi 9.5 \times \phi 4 \times 11 \text{mm}$
68157	10	扁头十字槽螺钉 TP.Binder head screw ST4x20	151031	2	转向器轴 Steering column
68159	12	内六角沉头螺钉 Hex. socket head cap screw M4x12	151032	2	刹车轴隔套 Brake shaft sleeve
68168	4	内六角平圆头螺钉 Hex. flat head screw M6×20	151033	2	刹车轴 Brake shaft
68173	8	防松螺母 Lock NUT M6	151034	4	刹车片 Brake pads 2mm
68175	5	平垫 Washer $\phi 5.2 \times \phi 10 \times 1$	151035	4	刹车固定片螺丝 Brake mounting screw
68176	2	盘头十字槽螺钉 TP.Binder head screw M2x8	151036	2	碟刹片 Brake disc 3mm
68124	2	内六角平圆头螺钉 Hex. flat head screw M5×25	151037	1	离合器盘固定架 Clutch mounting seat
68218	1	内六角平圆头螺钉 Hex. flat head screw M3×20	151038	1	离合器盘 Clutch disc
68220	5	内六角平圆头螺钉 Hex. flat head screw M3×10	151039	4	发动机固定铝件 Engine mounting piece 3mm
68222	8	内六角沉头螺钉 Hex. socket head cap screw M6×20	151041	1	后下码臂1 Rear Sus. arm 1 5mm
68224	2	内六角圆柱头螺钉 Hex. Column head screw M5x75x25	151042	1	后下码臂2 Rear Sus. arm 2 5mm
68227	8	内六角圆柱头螺钉 Hex. Column head screw M3x10	151043	2	后上悬挂连接丝杆 Rear Upper Sus. arm Turnbuckle $\phi 6 \times 112 \text{mm}$
68228	1	内六角凹端紧定螺钉 Hex. convex head screw M5x40	151044	2	后轮轴承座轴销 Rear Hub carrier shaft $\phi 5.5 \times 80 \text{mm}$
68229	4	内六角凹端紧定螺钉 Hex. convex head screw M8x16	151045	2	前后输出轴 Front/Rear output shaft

# 零件清单 *Parts List*

Nummer	Qty	Descripton	Nummer	Qty	Descripton
151046	4	轴销挡圈 0 type retaining ring	152057	1	油箱固定座 3 Fuel tank mount set
151047	1	前传动轴 Front dogbone $\phi 7 \times 140.5 \text{mm}$	152058	1	油管卡座 Tubing clamp set
151048	2	中部输出轴 Center Dogbone Joint Cup	152059	1	油箱 Fuel tank
151050	1	中差大齿轮 Diff.crown gear 58T	152061	1	58齿护罩 gear cover set
151051	1	发动机输出齿轮 Gear 19T	152062	1	19齿护罩 gear cover set
151052	1	前从动齿轮 Front Crown gear 43T	152065	1	空滤器组件1 Air filter set
151053	1	后从动齿轮 Rear Crown gear 43T	152066	1	空滤器组件2 Air filter set
151054	2	主动齿轮 Drive gear 13T	152067	2	空滤器组件3 Air filter set
151055	6	大伞齿 Bevel gear set 20T	152068	1	空滤器组件4 Air filter set
151056	12	小伞齿 Bevel gear set 10T	152069	1	油管压片 Tubing clamp set
151057	1	后差速器轴承座 左 Rear Diff.shell Hub carrier L	152071	1	后下悬挂 左 Rear Lower Sus.arm L
151058	1	后差速器轴承座 右 Rear Diff.shell Hub carrier R	152072	1	后下悬挂 右 Rear Lower Sus.arm R
151059	12	十字轴固定座 Cross shaft mounting seat	152073	1	后轮轴承座 左 Rear Hub carrier L
151060	6	十字轴 Shaft for 4 bevel gear diff.	152074	1	后下悬挂固定片 1 Rear Sus.arm holder set
151061	4	输出轴 Diff. Joint Cup	152075	1	后下悬挂固定片 2 Rear Sus.arm holder set
151062	1	油门连杆 Throttle rod	152076	1	后差速器箱1 Rear gear box set
151063	2	刹车杆 Brake lever	152077	1	后差速器箱2 Rear gear box set
151064	2	刹车力臂 Brake arm	152078	1	后轮轴承座 右 Rear Hub carrier R
151082	4	平衡杆压片 Balance bar fixing piece	152079	1	电子设备舱 Radio box set
151083	3	差速壳 Diff.shell	152080	1	电池舱盖 Radio box set
151084	1	中差支架1 Center Diff.mount set	152081	1	接收机舱盖 Radio box set
151085	1	中差支架2 Center Diff.mount set	152082	1	电源开关舱盖 Radio box set
151151	1	V5 后纵轴 Rear dogbone $\phi 7 \times 198 \text{mm}$	152084	1	电池舱隔板 Radio box set
151152	4	刹车回位弹簧 Spring	152085	1	刹车杆固定件 Brake rod holder
151162	1	V5 后减震支撑板 Rear shock tower	152086	2	刹车杆缓冲管隔套 Brake rod spacer
151163	1	V5 底板 Chassis	152087	1	油门杆固定件 Throttle rod holder
151164	1	V5 排气管套件 Exhaust pipe set	152088	1	油门刹车摇臂 Steering arm 17T/15T
151165	1	V5 后防撞 Rear bumper	152093	4	减震器避震套 Sleeve
151182	1	后部支撑架 Rear brace	152096	1	空滤器海绵 1 Air filter sponge set
152032	4	车壳螺丝固定压片 Mounting piece	152097	1	空滤器海绵 2 Air filter sponge set
152034	1	前下悬挂 左 Front lower Sus.arm L	152098	4	边框 Ring
152035	1	前下悬挂 右 Front lower Sus.arm R	152101	1	衬垫 1 Shockproof pad set
152036	1	前轮轴承座 1 左 Caster mount L	152102	3	衬垫 2 Shockproof pad set
152037	1	前轮轴承座 2 左 Steering mount L	152107	4	二代轮毂 Wheel
152038	1	前轮轴承座 1 右 Caster mount R	152109	1	V5 前防撞 Front bumper
152039	1	前轮轴承座 2 右 Steering mount R	152110	1	V5 左侧板 Side L
152040	1	前下悬挂固定片 1 Front Sus.arm holder set	152111	1	V5 右侧板 Side R
152041	1	前下悬挂固定片 2 Front Sus.arm holder set	152112	1	V5 车壳固定柱 Body posts
152042	12	球型接头 Sus.arm spherical joint	152113	1	V5 尾翼 Style wing
152044	4	平衡杆球型接头 Balance bar spherical joint	152114	2	V5 尾翼支架 Wind wing mounting seat
152046	1	前差速器箱 1 Front gear box set	152115	2	V5 尾翼支架加强柱 Wing posts
152047	1	前差速器箱 2 Front gear box set	152116	1	V5 防滚架1 roll bar set
152048	1	转向器压片 1 Front Upper absorber set	152117	1	V5 防滚架2 roll bar set
152049	1	转向器压片 2 Front Upper absorber set	152118	2	V5 防滚架横杆 roll bar set
152050	1	转向器左 Steering crank/servo saver set	152119	1	V5 火花塞保护帽 Spark plug cover
152051	1	转向器右1 Steering crank/servo saver set	152121	2	舵机桥接架 Servo mounting seat
152052	1	转向器右2 Steering crank/servo saver set	152122	1	V5 车壳 Painted body
152053	2	伺服球型接头 Servo spherical joint	66116	1	油壶盖 Fuel tank cover set
152054	1	前部支撑架 Front brace	66117	1	油壶盖组件 Fuel tank cover set
152055	1	油箱固定座 1 Fuel tank mount set	66118	1	油壶盖组件 Fuel tank cover set
152056	1	油箱固定座 2 Fuel tank mount set	66119	1	油壶盖组件 Fuel tank cover set
			66198	4	边框 Ring



# 零件清单 *Parts List*

Nummer	Qty	Descripton	Nummer	Qty	Descripton
153002	4	油箱减震垫 Fuel tank grommet			
153003	2	传动轴防尘套 dust cover			
153004	6	O型圈 O-ring 9.6x15.3x2.85mm			
153006	2	前减震橡胶帽 Front bladder			
153007	2	后减震橡胶帽 Rear bladder			
153008	4	O型圈 O-ring 28x33x2.5mm			
153009	4	O型圈 O-ring 17x21x2mm			
153010	8	O型圈 O-ring 6.8x14x3.6mm			
153011	4	减震顶杆防尘套 Shock absorpton dust cover			
153012	3	差速器密封垫 Diff case washer			
153013	1	O型圈 O-ring 36x42x3mm			
153017	8	舵机减震垫 Servo grommet			
153018	4	轮胎内衬 Lining			
66193	4	小钉胎皮 Tires			
87003	2	前减震总成 Front Shock absorber set			
87004	2	后减震总成 Rear Shock absorber set			
85207	2	排气管卡箍 Exhaust pipe connection buckle			